



Reyrolle
Protection
Devices

7SG26 - Tau 100/200

Auto re-close

Answers for energy

SIEMENS
siemens-russia.com

Contents

Technical Manual Chapters

- 1 Description Of Operation
- 2 Performance Specification
- 3 Relay Settings
- 4 Communications Interface
- 5 Applications Guide
- 6 Installation
- 7 Commissioning
- 8 Maintenance
- 9 Diagrams

The copyright and other intellectual property rights in this document, and in any model or article produced from it (and including any registered or unregistered design rights) are the property of Siemens Protection Devices Limited. No part of this document shall be reproduced or modified or stored in another form, in any data retrieval system, without the permission of Siemens Protection Devices Limited, nor shall any model or article be reproduced from this document unless Siemens Protection Devices Limited consent.

While the information and guidance given in this document is believed to be correct, no liability shall be accepted for any loss or damage caused by any error or omission, whether such error or omission is the result of negligence or any other cause. Any and all such liability is disclaimed.

7SG26 Tau

Auto Re-close

Document Release History

This document is issue 2010/02. The list of revisions up to and including this issue is:
Pre release

2010/02	Document reformat due to rebrand
---------	----------------------------------

Software Revision History

The copyright and other intellectual property rights in this document, and in any model or article produced from it (and including any registered or unregistered design rights) are the property of Siemens Protection Devices Limited. No part of this document shall be reproduced or modified or stored in another form, in any data retrieval system, without the permission of Siemens Protection Devices Limited, nor shall any model or article be reproduced from this document unless Siemens Protection Devices Limited consent.

While the information and guidance given in this document is believed to be correct, no liability shall be accepted for any loss or damage caused by any error or omission, whether such error or omission is the result of negligence or any other cause. Any and all such liability is disclaimed.

CONTENTS

1	INTRODUCTION.....	4
1.1	General	4
1.2	Auto-reclose.....	5
1.3	Check Synchronisation.....	7
2	HARDWARE DESCRIPTION.....	7
2.1	General	7
2.2	Analogue Inputs	8
2.3	Output Relays	8
2.4	Status Inputs.....	8
2.5	Self Monitoring	8
3	AUTORECLOSE CONTROL FUNCTIONS	8
3.1	Auto-reclose.....	8
3.1.1	Protection Trips	9
3.1.2	Developing Faults	9
3.1.3	Three Pole Trip Select	10
3.1.4	Manual Close	14
3.1.5	In/Out Switching.....	14
3.1.6	Overall Control	14
3.1.7	CB Close Command pulse.....	14
3.1.8	CB Failed To Open and CB Failed to Close.....	15
3.1.9	CB Closed by Another Device.....	15
3.1.10	Indications.....	15
3.1.11	CB Close Counters	15
3.1.12	Metering	15
3.1.13	Dead-time and Reclaim Timing	15
3.1.14	Lockout	16
3.1.15	Intertrip Initiated Autoreclose	16
3.1.16	Sequential Isolation.....	16
3.1.17	CB Single Pole In Op / CB Three Pole In Op	17
3.1.18	VT Alarms	17
3.1.19	Close Onto Fault	17
3.1.20	CB Pole Discrepancy	17
3.1.21	Close Mode Selection (CMS).....	17
3.2	Voltage monitoring elements	22
3.2.1	Undervoltage detectors	22
3.2.2	Differential voltage detectors.....	22
3.2.3	Voltage detectors	22
3.2.4	Sync Override Logic.....	22
3.3	Check Synchronising Mode.....	23
3.3.1	Manual Sync Override Feature	23
3.4	System Split Detector.....	23
3.5	System Synchronising Mode.....	24
4	OTHER FEATURES	25

4.1	Metering	25
4.2	Data Storage	25
4.2.1	Waveform Records	26
4.2.2	Event Records.....	26
4.3	Communications	26
4.4	Multiple Setting Group	26
4.5	Password Feature	27
5	USER INTERFACE	27
5.1	Liquid Crystal Display	27
5.2	LED Indications	27
5.3	Keypad	27
5.4	Settings and Displays	27
5.5	System Config Menu	28
5.6	A/R Menu	28

FIGURES

Figure 1 – Autoreclose Sequence	6
Figure 2 - Check and System Synchronising	7
Figure 3 - Voltage Detector Operation	22
Figure 4 - Check Sync Function.....	23
Figure 5 - System Sync Function	25
Figure 6 - Display Menu Structure	30
Figure 7 - Tau E8 Relay Fascia	31
Figure 8 – Tau E12 Relay Fascia.....	31

REFERENCE MATERIAL

[1] - REYDISP EVOLUTION : is a PC based relay support package which allows local or remote access to relays for uploading settings, downloading event and disturbance records, reading real-time data and allowing control of plant. The package is available from Reyrolle Protection and is compatible with all Argus and Modular II relays.

[2] - INFORMATIVE COMMUNICATIONS INTERFACE : a report detailing all aspects of the communications protocol used in the Argus and Modular II range of relays is available from Reyrolle Protection. The report reference is 434TM05B.

1 INTRODUCTION

1.1 General

This Manual details the description of the Single Pole / Three Pole Autoreclose Tau relay range.

The Tau Auto-reclose relay range consists of Two-shot Single Pole / Three Pole Autoreclose relays and Multi-shot Delayed Autoreclose relays, both with or without integral Check Synchronisation. The Multi-shot Delayed Autoreclose relays are described in a separate manual.

Tau 100 Two Shot Single/Three Pole Recloser using external Check Synchronisation relay (Argus 7). Standard version in an E8 case with 27 input, 13 output and 16 programmable LEDs.

Tau 200 Two Shot Single/Three Pole Recloser using internal Check Synchronisation. Standard version in an E12 case with 27 input, 13 output and 32 programmable LEDs.

The relay contains scheme logic which allows input functions and output functions to be configured to meet the requirements of a particular customer's scheme. This is achieved by a number of pre-programmed customer options and features which enable various sequences to be selected together with appropriate timer mechanisms which allow effective control of the autoreclose process. Auxiliary functions are provided which cover all aspects of the autoreclose scheme i.e. Auto-reclosing, Manual Closing, Check Synchronisation.

The autoreclose function has been designed to only allow reclosing if system conditions dictate. A number of features are included to prevent reclosing: CB In Service, Inhibit Close, Block Reclose; the deadtimes are only started if certain criteria are met i.e. the trip has reset and the CB has opened and the line has gone dead; The close pulse will only be issued if the system synchronisation conditions are met and the CB is open and there are no trips present. The relay errs on not closing. All of this logic is internal to the relay. Because of the complexity of autoreclose schemes and the possibility of setting the relay incorrectly the user should be familiar with all aspects of the relay before energising any equipment.

Autoreclose inputs are fully programmable via matrixes: Block Reclose, Reclose Lockout, Manual Close, A/R In, A/R Out, Reset Lockout etc. Outputs are fully programmable to either LEDs or output contacts.

The relay has been designed for ease of setting, clear setting ranges indicate deadtimes, close pulse and reclaim time delay settings. Front panel instruments are provided that indicate the point which the Relay has reached during an Autoreclose sequence, this greatly improves commissioning.

Suitable for single / double busbar substations where outgoing circuits are controlled by a single circuit breaker. Compatible to 'J' unit schemes.

The Autoreclose control relay is connected to the Circuit Breaker, Protection relays and associated plant. The interconnection of this equipment allows for the autoreclose relay to issue a number of alarms indicating system conditions and possible problems:

- the state of the CB is monitored for CB Open, CB Closed and CB Indeterminate; per phase signals are provided.
- CB Single Pole Open and CB Three Pole Open outputs which can be used as inhibits i.e. Power Swing Blocking, Zone 1 Extension Inhibit.
- CB Pole Discrepancy protection.
- VT Alarms for Line and Bus side VTs.
- CB Counter Alarms.
- CB Failed To Close.
- CB Failed To Open.
- Close Onto Fault.
- Slow CB.

- Start Autoreclose flexibility, either Trip, Trip and CB Open, or Trip Reset.
- 3PTS logic connection provided to instruct protection to issue trips as 3P.
- CB In Service and CB Memory prevent unwanted autorecloses if the CB is open or normally de-energised. Autoreclose is only allowed to proceed if the CB was in a closed position.
- Flexible latched or self reset Lockout.
- Flexible connection of the CB Auxiliary switches, can be of type a, b or a&b.
- Switching A/R In/Out can be from switches, communications, keypad or telecontrol pulses.
- Close Mode Selection determining the autoreclose sequence employed may be changed by a selector switch.

The relay will automatically determine circuit breaker reclosure conditions. These conditions are dead line close, dead bar close or check sync close. If one of these conditions exists and reclosure under this condition has been pre-selected by the user then reclosure will be initiated.

When the dead line or dead bar deadtime has expired and dead line or dead bar conditions are met then the circuit breaker will be reclosed.

If the relay detects the presence of line and busbar volts and check sync reclosure has been pre-selected then the relay will generate a check sync request prior to any reclosure. If the required check sync conditions are met then the circuit breaker will be reclosed.

The relay can automatically select Check or System synchronise from measurements of the relative phase angles between line and bus voltages. The relay will prevent closure of the circuit breaker if either the phase angle, slip frequency or the voltage magnitude of the incoming or running voltages fall outside prescribed limits.

If the parameters are within the limits the relay will issue an output which can be used to close the circuit breaker. Both the check and system synchronise functions have independent settings. The relay includes split system detection which can be used for blocking purposes. Following a system split, closure of the circuit breaker can be performed by either system sync parameters (typically 10°), or by the Close On Zero function which takes account of the circuit breaker close time.

A serial communications interface provides control of the relay, access to information stored, and integration of the relay into a sub-station control or data acquisition system.

1.2 Auto-reclose

Autoreclose is commonly applied to Transmission and Distribution systems. This relay has been designed for application to Transmission systems where single pole and three pole tripping is applied.

Statistically, the majority of system faults are of a transient nature so that once the fault has been cleared by the protection, the faulted circuit can be re-energised with a likelihood of minimal disturbance to the rest of the system. An important feature of overhead line faults is that since air is the main insulant a significant majority of flash-overs cause no permanent damage to the circuits and about 88% of fault clearances can be quickly followed by the circuits return to service by operation of automatic switching and reclosing facilities.

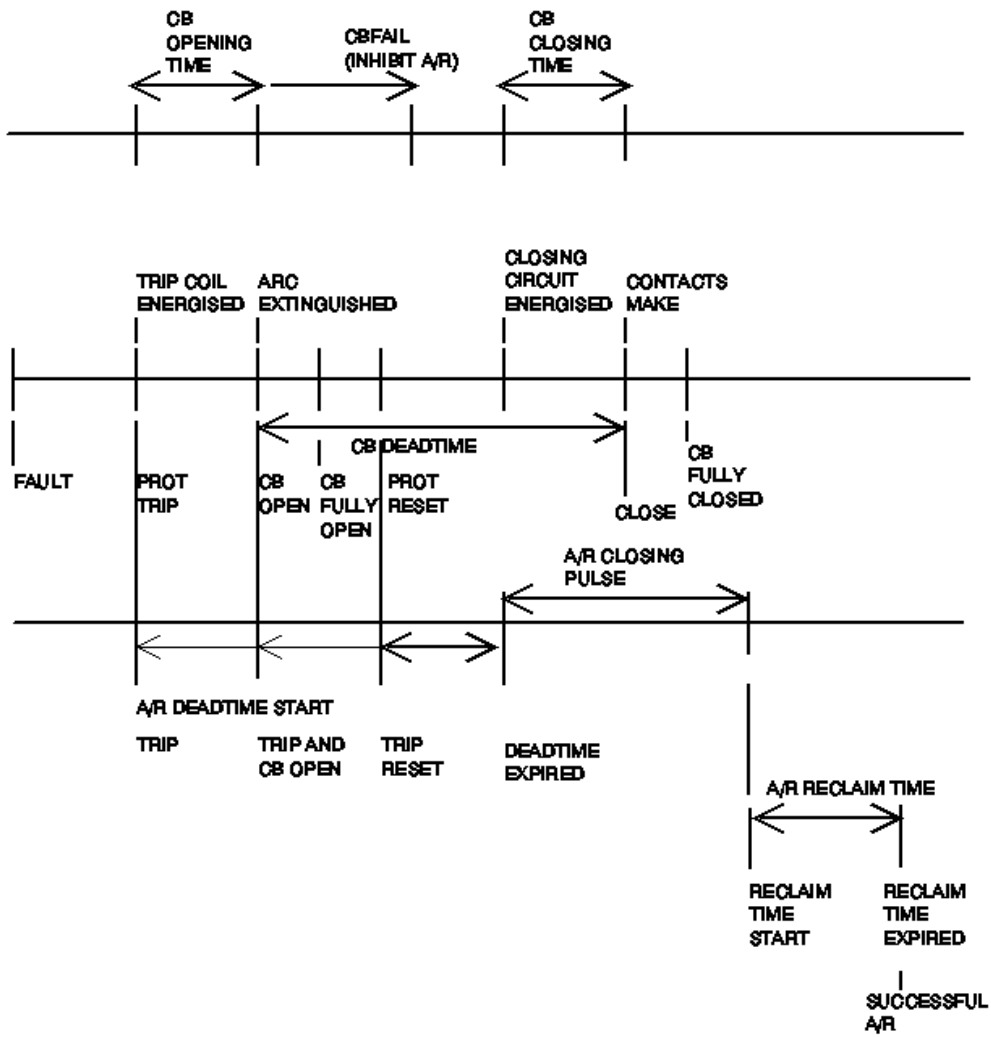


Figure 1 – Autoreclose Sequence

The relay conforms to NGTS 3.15.1 and the relevant IEC255 standards.

1.3 Check Synchronisation

When two power systems are to be connected together it is essential that the systems either side of the breaker be reasonably in synchronism. Quantities such as the voltage magnitudes, the system frequencies and the relative phase angles of the two systems should be reasonably close before an attempt is made to connect. Closing the circuit breaker without due care and attention to some or all of these quantities can cause undue stresses to the system. The Check and System synchronising function measures single phase voltage quantities at each side of the CB and will only permit a CB close when the two systems fall within the relay setting parameters. Figure 2 shows the basic closing conditions for both the check and system synchronising functions.

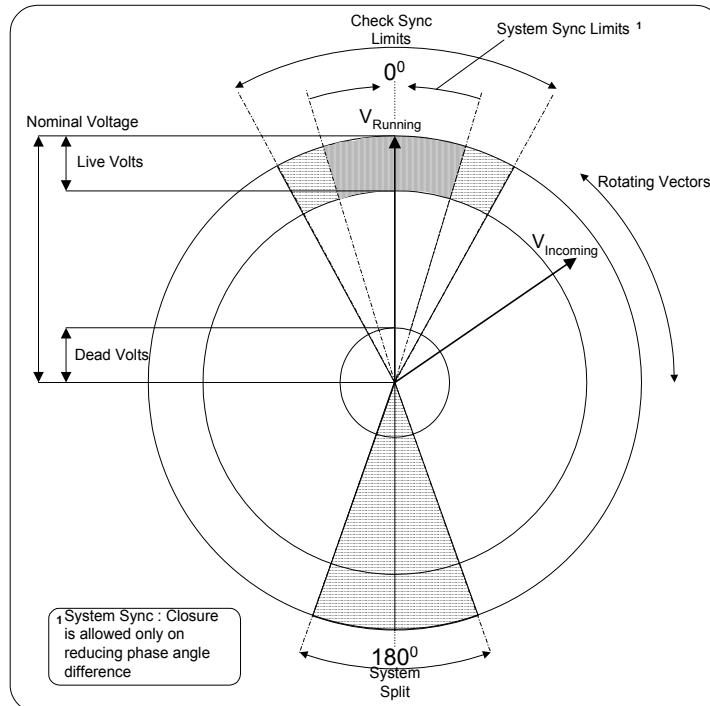


Figure 2 - Check and System Synchronising

The Check and System synchronising function is part of the comprehensive range of Modular II platform based numeric relays. These relays have extensive control functions, which are supplemented by advanced metering, data storage and fibre optic communications. Supervisory and self-monitoring features give added confidence to the user as well as reduced maintenance and down time. A menu-based interface gives user-friendly access to relay settings, meters and operational data.

The relay conforms to NGTS 3.7.7 and the relevant IEC255 standards.

2 HARDWARE DESCRIPTION

2.1 General

The Modular II series of relays are housed in E8, E12 or 19" rack size cases. They consist of standard versions with dedicated I/O:

Tau 100 (1P/3P):

E8 27 input, 13 output; E12 27 input, 29 output; these have been chosen to provide the correct number of terminals for common schemes.

Tau 200 (1P/3P+CS):

E8 11 input, 13 output; E12 27 input, 13 output; 19" 27 input, 29 output; these have been chosen to provide the correct number of terminals for common schemes

All Modular II relays share common hardware components and modules. The design for the mechanical arrangement of the relays has been carefully chosen to provide a high level of EMI screening using multi-layer PCB's with ground planes, RFI suppression components and earthed metal screens. The internal arrangement has been divided into noisy and quiet areas in order to improve noise immunity and reduce RFI emissions. The

only direct connection from the quiet components to the external environment is via the optical serial communications interface, which is immune to radiated or conducted interference.

2.2 Analogue Inputs

The input stage of the relay measures two basic quantities, V_{Line} and V_{Bus} . The voltage transformer inputs are suitable for phase to neutral connections and the input stage overall measures in the range of 1 Vrms to 200 Vrms. It maintains accuracy within $\pm 1\%$ over the range 5 Vrms to 132 Vrms.

In order to ensure high accuracy true RMS measurements and accurate phase and slip frequency calculations, the voltage signals are sampled at a minimum of 8 samples per cycle for both 50Hz and 60Hz system frequencies. This sampling rate also provides high accuracy and quality waveform storage records.

2.3 Output Relays

The standard relay has 13 output relays in total, which are capable of handling breaker tripping duty. All 13 relays are fully user configurable and can be programmed to operate from any or all of the control functions. They consist of 3 C/O contacts, and 10 N/O contacts.

In their normal mode of operation output relays remain energised for at least 200msec. If required, however, outputs can be programmed to operate as latching relays. These latched outputs can be reset by either pressing the TEST/RESET button, or by sending an appropriate communications command.

2.4 Status Inputs

There are a total of 27 status inputs available in the standard relay. All status inputs are fully user programmable. Each of the status inputs can be programmed to perform one or more of the following functions, (see settings sheet for complete list) :

- Start Autoreclose.
- CB Auxiliary contacts.
- Close the CB.
- Autoreclose control functions.
- Bypass the sync function.
- Switch to an alternative settings group
- Trigger storage of a waveform record.
- Reset the Lockout condition.

2.5 Self Monitoring

The relay incorporates a number of self-monitoring features. Each of these features can initiate a controlled reset sequence, which can be used to generate an alarm output. In addition, the Protection Healthy LED will give visual indication.

A watchdog timer continuously monitors the microprocessor. The voltage rails are also continuously supervised and the microprocessor is reset if any of the rails falls outside of their working ranges. Any failure is detected in sufficient time so that the micro can be shut down in a safe and controlled manner.

3 AUTORECLOSE CONTROL FUNCTIONS

3.1 Auto-reclose

Auto-Reclose (A/R) is initiated by a valid trip relay operation while the associated circuit breaker is in service.

A circuit breaker's service status is determined by its position and (where Check Synchronisation is applied) its voltage references. The circuit breaker is defined as being in service when it is closed and its voltage references are live. The in service status has a drop-off delay of 2 sec, this delay is known as the circuit memory time. This functionality prevents autoreclosing when the line is normally de-energised, or normally open.

The transition from 'A/R started' to 'initiate deadtime' is programmable. It can take place when the trip signal is received; or when the trip signal is active and the CB has opened (the A/R deadtime will then mimic the CB deadtime); or when the trip has occurred and the CB has opened and then the trip has reset. If any of these do not occur within the Sequence Fail time the relay will Lockout. This is provided to prevent the A/R being primed indefinitely, or the Sequence Fail timer can be switched OFF.

Once an A/R sequence has been initiated, up to 2 unsuccessful recloses (where a closure is followed by a re-trip) may be performed before the A/R feature is locked-out. Each reclosure is preceded by a time delay (dead time) to give transient faults time to clear.

Once a CB has reclosed and remained closed for a specified time period (the Reclaim time), the A/R feature is re-initialised and a Successful Close output issued. A single, common Reclaim time is used.

A count is kept of how many recloses per phase have been performed.

Once lockout has occurred, an alarm is issued and all further External Close commands are inhibited for a specified time period (the Minimum Lockout time). A single, common lockout time is used. Lockout can be latched until reset.

There are separate dead-time settings for each of the recloses.

The relay will automatically determine circuit breaker reclosure conditions. These conditions are dead line close, dead bar close or check sync close. If one of these conditions exists and reclosure under this condition has been pre-selected by the user then reclosure will be initiated.

When the dead line or dead bar deadtime has expired and dead line or dead bar conditions are met then the circuit breaker will be reclosed.

If the relay detects the presence of line and busbar volts and check sync reclosure has been pre-selected then the relay shall generate a check sync request prior to any reclosure. If the required check sync conditions are met then the circuit breaker will be reclosed.

A number of settings allow a very flexible application of the relay. The relay can be applied to any combination of CB auxiliary contacts depending upon how many contacts are available, these can be type 'a', 'b' or both 'a' and 'b'.

The Close Mode Selection setting can be selected by status inputs thereby allowing remote change to the type of allowable autoreclose sequences. Either telecontrol, or panel mounted switches, or communications, or relay front panel keypad can be used to change this setting.

3.1.1 Protection Trips

The Protection device which trips the CB should be connected to the trip inputs to prime and start the autoreclose sequence. Separate phase trip inputs are provided together with a three phase trip input. The relay internally determines what type of fault has occurred: Phase to earth, Phase to Phase, Three Phase.

3.1.2 Developing Faults

The relay automatically determines developing faults and whether these can initiate an autoreclose sequence.

A setting is provided to inhibit the three pole deadtime by faults involving all three poles, if required. The relay can be programmed to allow different types of fault to initiate different types of autoreclose sequence. This can enhance the reliability of the reclose sequence. In systems where single pole tripping is employed the occurrence of a three phase fault can indicate severe problems and reclose can be disabled if required. For example:

Single Pole Trips initiate 1P Autoreclose.

Phase to Phase Faults initiate 3P Autoreclose.

Three Pole Faults initiate either 3P Autoreclose or Lockout.

A single pole trip which initiates a single pole deadtime and then develops into a trip involving more phases or more than one CB opens will either initiate a three pole deadtime if allowed or lockout.

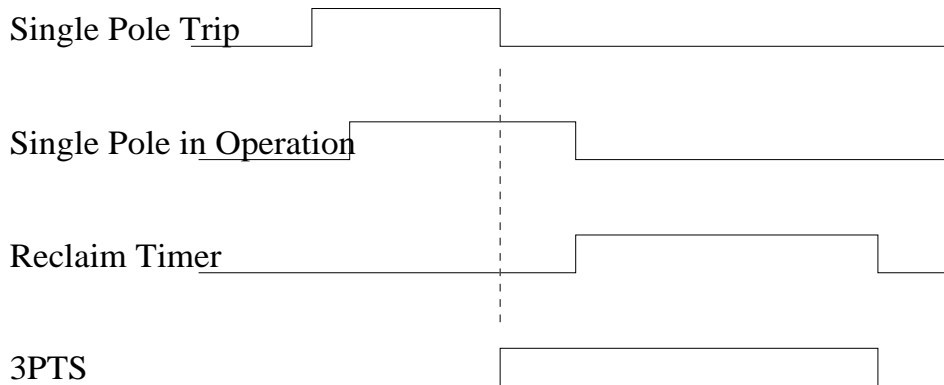
3.1.3 Three Pole Trip Select

The relay co-ordinates the action of the Protection with the state of the system. For conditions which dictate that a single pole reclose may be unsuccessful the autoreclose relay instructs the protection to issue a three pole trip signal.

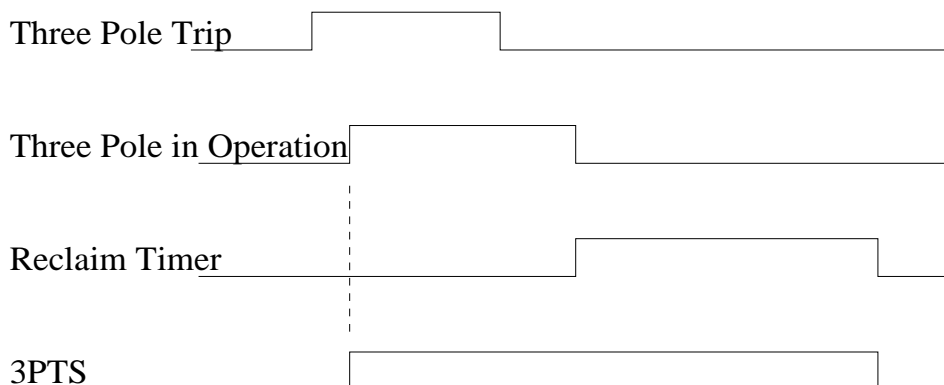
With Single pole reclosing sequences, following the first shot single pole trip and reclose subsequent tripping of the CB shall be 3 pole. An Alarm shall be issued to indicate three pole tripping is being commenced. A setting shall be provided to program an output relay to operate when the autoreclose sequence goes to three pole either on selection or during a two shot scheme.

Definitions:

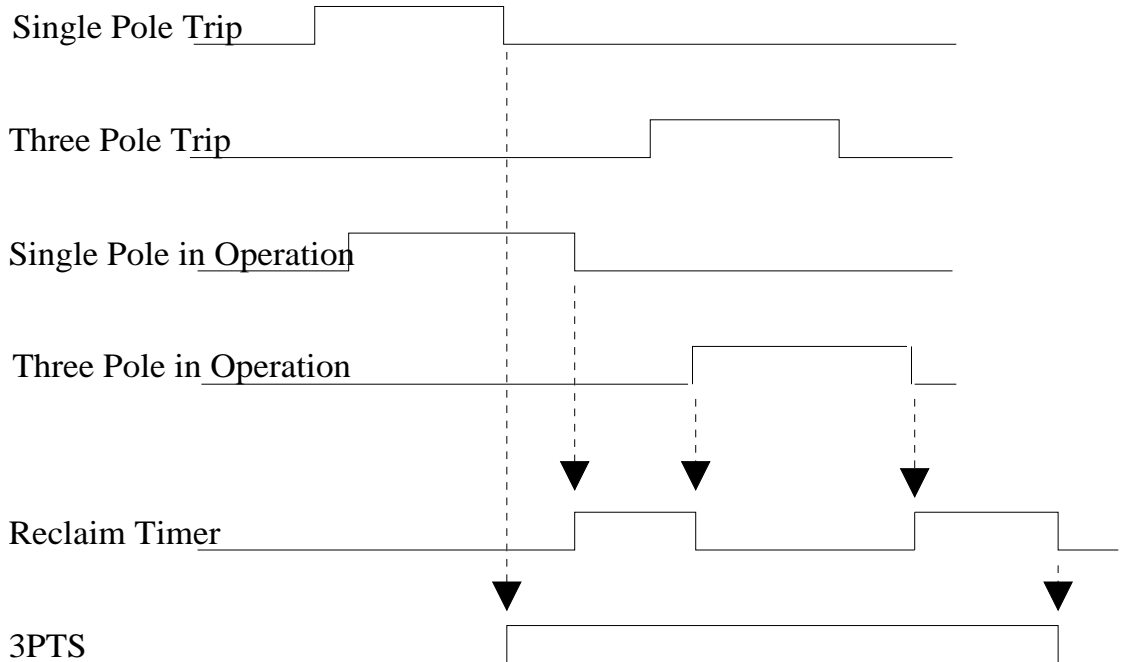
- Following a Single Pole autoreclose sequence: All tripping after a single pole sequence will be 3 Pole. i.e. Prepare the main protection to go into 3 Pole mode.



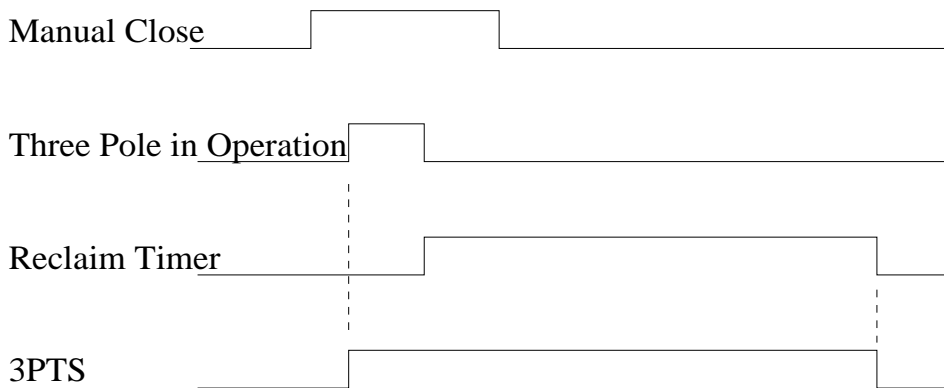
- Three pole autoreclose.



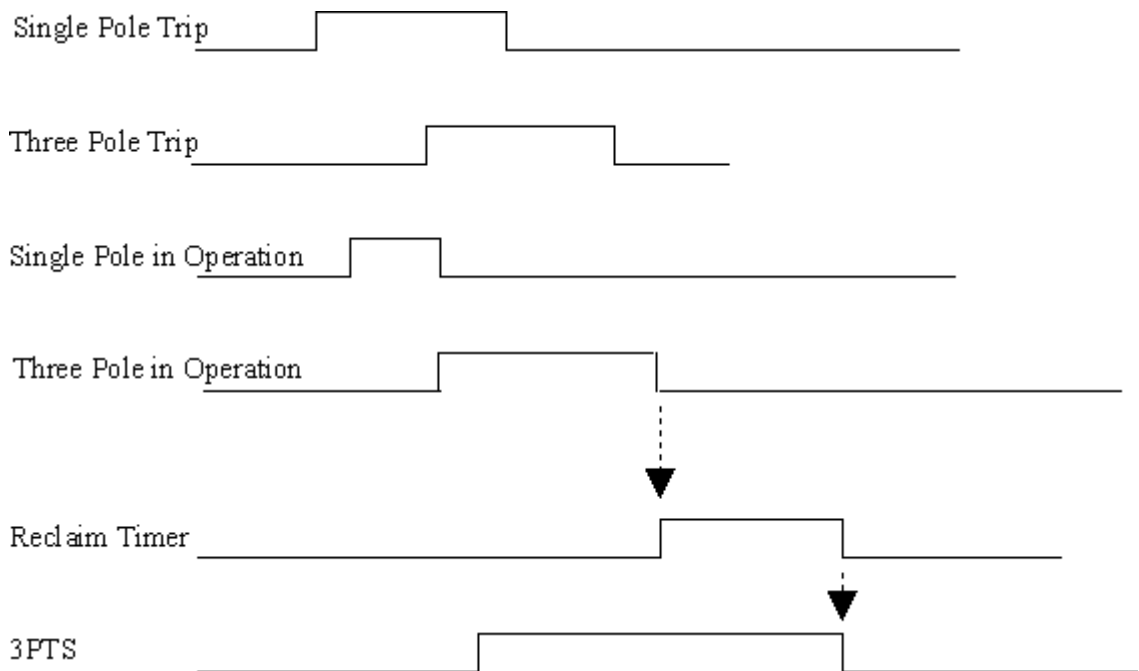
- For a sustained fault sequence (CMS set to 1P3P/3P): Subsequent tripping of the CB shall be 3 pole. An alarm will be issued to indicate 3 pole closing. We remain with 3PTS if fault in reclaim time. The Protection relay has tripped single phase and then reset, the recloser will complete the single phase reclosing sequence, a second trip within the reclaim time must be three pole, to force this second trip to be three pole the 3PTS output is given after the single pole trip has cleared.



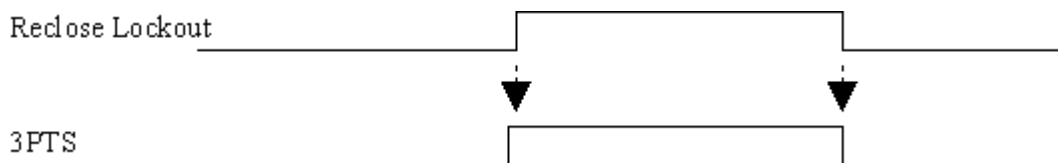
- Following the Manual Close Command: 3 pole trip select (3PTS) is initiated following a manual close command. Any subsequent faults shall initiate a 3PT.



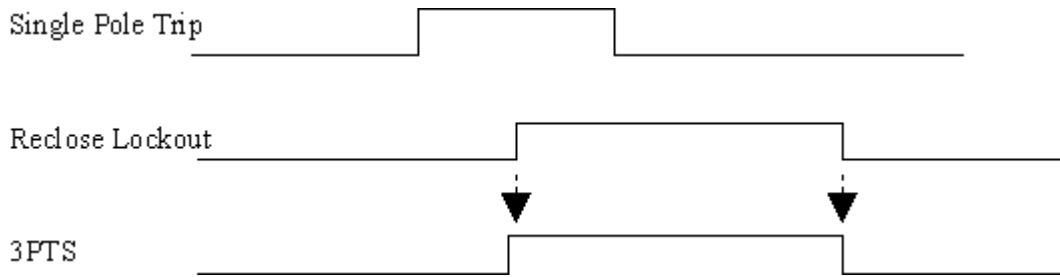
- Evolving Fault: Should the relay change to a 3 pole trip sequence during a single pole reclosure sequence, the 1PARC sequence will reset and a three pole closing alarm will be issued.



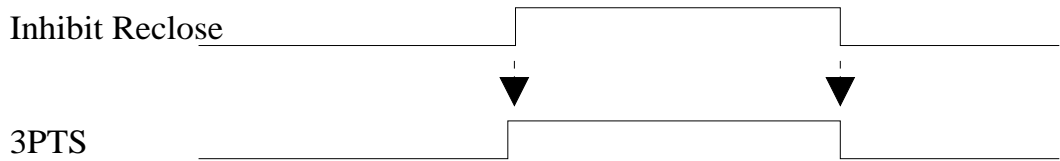
- During a Reclose Lockout signal: If a Reclose Lockout signal becomes active during a 1P autoreclose sequence the relay will select 3PT. Reclose Lockout will initiate 3PTS.



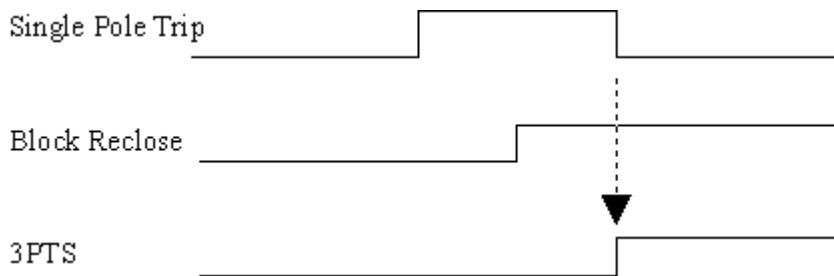
- If Reclose Lockout during Single Pole Trip: Go to Lockout, Trip 3P straight away.



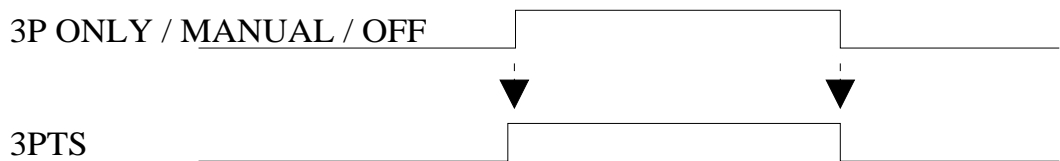
- During Block Reclose or Inhibit Close:



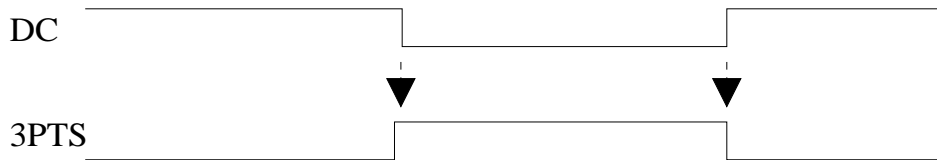
- If Block Reclose during a 1P autoreclose sequence: Should a Block Reclose signal become present during a 1PARC sequence, 3PTS shall initiate upon resetting of the current 1PARC initiate signal. i.e. give the 1P shot a chance, the Block may be transient.



- As a result of selected CMS:



- For loss of DC: Should the DC supply be lost 3PT shall be selected.



This requires that a normally energised N/C contact is used as the output for 3PTS. A separate flag 3PTS Flag is provided for use as the LED indication.

3.1.4 Manual Close

An External Close Command can be received via a status input or communications. This would normally be initiated manually. It causes an instantaneous closure, over-riding any A/R sequence then in operation. Manual Close resets Lockout.

An External Close will initiate Line Check. If a fault appears on the line during the Close Pulse or the Reclaim Time with Line Check set, the Protection relay will initiate a Trip and the A/R relay will Lockout. This prevents a CB being repeatedly closed onto a faulted line.

Repeated Manual Closes are avoided by checking for Positive edge triggers of the Manual Close input. Even if the Manual Close input is constantly energised the relay will only attempt one close.

There is a separate input Inhibit Close which prevents the close pulse being issued from a Manual Close. If the Inhibit Close signal has not been removed before the end of a defined time, the Permissive Close Delay, the A/R feature is locked-out. The input Block Reclose does not prevent Manual Closing. Block Reclose only prevents autoreclosing. Both Inhibit Close and Block Reclose utilise the Permissive Close Delay timer.

3.1.5 In/Out Switching

The A/R feature may be switched out by changing the A/R In Service setting by a number of methods. These are either a keypad change from the front panel, or via a communication, or by an A/R OUT status input. A/R OUT status input has priority over A/R IN. If both are raised the relay will be in Out Of Service. Once the relay has been switched Out Of Service the reverse action A/R IN is required before the relay will go back In Service. A/R In Status Input is positive edge triggered.

3.1.6 Overall Control

The A/R feature may be disabled by a Lockout command (Reclose Lockout) or by an external signal applied to a status input (A/R OUT).

If the Lockout command or A/R OUT are received while an A/R operation is in progress, the feature is immediately locked-out. An External A/R IN command can be received via a status input. This will re-enable the module.

The A/R feature may be paused by an external Block Reclose or Inhibit Close signal applied to a status input. This causes the feature to temporarily halt before it issues the next CB close command and can be used, for example, to delay CB closure until the CB pressure has reached an acceptable level. If the Block Reclose signal has not been removed before the end of a defined time, the Permissive Close Delay, the A/R feature is locked-out. A Block Reclose active within the deadtime resets the deadtime timer.

3.1.7 CB Close Command pulse

The duration of the CB Close Command pulse will be settable to allow a range of CBs to be used. The Close pulse will be terminated if any protection trips occur. This is to prevent Close and Trip Command pulses existing simultaneously. A Close Onto Fault Output is given if a trip picks-up in the Close Pulse. This can be independently wired to Lockout.

3.1.8 CB Failed To Open and CB Failed to Close

CB Failed To Open and CB Failed to Close features are used to confirm that a CB has not responded correctly to each Trip and Close Command. If a CB fails to operate, the A/R feature can be set to lockout.

CB Failed To Open utilises the CB Closed status input and trip signal. If the CB remains closed after a trip signal has been received for longer than the CB Fail To Open time delay setting then an alarm is issued. This alarm could be used to lockout the autoreclose sequence; or could indicate a slow CB opening.

CB Failed To Close results in lockout if the CB is still open at the end of the Close Pulse time delay setting.

3.1.9 CB Closed by Another Device

If, during a dead time period, the Relay detects that the CB has closed (due to an external source) it increments its Reclose count and advances to the next part of the Reclose sequence (begin Reclaim time).

3.1.10 Indications

The relay has a fully programmable output to either output contacts or LEDs.

The following are included:

1. A/R In Service
2. A/R Out of Service
3. A/R In Progress
4. Successful A/R
5. Lockout
6. 3PTS and 3PTS Flag

see Output Relay Menu and LED Menu for complete list.

3.1.11 CB Close Counters

Additional A/R features are provided as an aid to maintenance.

Two counters 'Total CB Close Count' and 'Delta CB Close Count' are provided. Each counter has a User settable Alarm count. These counters can be used for Maintenance Alarms. These figures are re-settable and have a maximum alarm number of 999.

3.1.12 Metering

All Counters and the Status of the A/R sequence are displayed in Meters under the Instruments Menu.

3.1.13 Dead-time and Reclaim Timing

The Deadtime will start if a Trip has occurred and the CB is Open and the Trip has then reset and the line has gone dead. Once a trip has occurred if the CB does not open or the Trip does not reset then the A/R will Lockout. This could be due to either a CB Fail condition, which would independently notify Lockout, or the Trip relay contact failing to reset. If the line does not go dead this may signify that the remote end has failed to clear the fault, and the autoreclose will go to Lockout.

The Reclaim time will start once the Close Pulse has timed out and the CB has closed. Lockout is alarmed if the CB is open at the end of the reclaim time. If the CB remains closed for the Reclaim time, the relay will reset and be ready for further operation.

3.1.14 Lockout

The Lockout state can be reached for a number of reasons. Lockout will occur for the following:

- At the end of the Reclaim time if the CB is in the open position.
- A protection operates during the final Reclaim time.
- If a Close Pulse is given and the CB fails to close.
- The Reclose Lockout status input is active.
- At the end of the Permissive Close Delay due to a persistent Block Reclose or Inhibit Close.
- At the end of the Sync Close Delay due to Synchronism not being achieved.
- At the end of the Sequence Fail time.
- At the end of the Overall Sequence time.

Once the Lockout condition has been reached, it will be maintained until reset. Lockout will be reset by the following:

- By a Manual Close command.
- By a Reset Lockout signal, provided there is no signal present which will cause Lockout.
- At the end of the Minimum Lockout time if Reset Lockout is selected to be reset by a timer, provided there is no signal present which will cause Lockout.
- If Lockout was entered by an A/R Out signal during an Autoreclose sequence then an A/R In signal must be received before Lockout can reset.
- By the CB Closed, provided there is no signal present which will cause Lockout.

The Lockout condition has a delayed drop-off of 2s.

The Lockout condition will initiate the Lockout indication and alarm contact.

Lockout does not issue a trip signal.

Lockout indicates an abnormal system occurrence, an event that needs to be investigated. When a CB is normally open the A/R relay does not go to Lockout, but A/R sequences are prevented by using a combination of Trip and CB In Service to start the sequence.

3.1.15 Intertrip Initiated Autoreclose

Autoreclose can be initiated by an Intertrip Receive signal. A Persistent Intertrip timer is provided. If the Persistent Intertrip timer times-out before the Intertrip Receive signal has reset then the relay will go to Lockout. Only a one shot autoreclose sequence is allowed by intertripping, any other intertrips cause the relay to go to Lockout. Intertrip deadtime initiate must correspond to Trip Reset.

3.1.16 Sequential Isolation

Some utilities apply an arrangement when a CB is opened to automatically open the isolator. This is called Sequential Isolation. This needs to be inhibited if the CB is to be automatically reclosed.

Facilities to inhibit sequential isolation are provided to enable the A/R system to stop sequential isolation if an associated A/R sequence has started. The Inhibit Sequential Isolation output is set when an A/R sequence is started and is reset at the start of the close pulse or at lockout.

3.1.17 CB Single Pole In Op / CB Three Pole In Op

Two outputs are provided which indicate whether all CB's are open (Three Pole In Op) or a single pole CB is open (Single Pole In Op). These outputs can be used for inhibit purposes i.e. Power Swing Blocking, Zone 1 Extension Inhibit.

3.1.18 VT Alarms

The relay detects if a VT Fail has occurred. This could be a Line VT Fail or a Bus VT Fail. If the CB is closed and the Line is Live and the Bus is Dead for greater than 2 seconds a Bus VT Alarm is issued. If the CB is closed and the Line is Dead and the Bus is Live for greater than 2 seconds a Line VT Alarm is issued. The relay cannot distinguish between the system VT and the measuring VT within the relay, the VT Fail could be either.

3.1.19 Close Onto Fault

This output provides flexibility to be able to distinguish faults occurring during the close pulse. Any Trip occurring within the close pulse is designated as a Close Onto Fault. This can be used to stop the autoreclose sequence if required, wired to Lockout. There can now be a difference between trips in the close pulse and trips in the reclaim time. A trip in the reclaim time can be designated as a separate fault. This can be enhanced further by extending the close pulse time setting to longer than usual, say 5 seconds, effectively creating two reclaim times.

3.1.20 CB Pole Discrepancy

Systems using single pole tripping or CB's with separate phase operation govern the time which a single CB may be open by CB Pole Discrepancy Protection. If the single pole is open greater than the Pole Discrepancy time, typically 1.6 seconds, the autoreclose process is normally Locked out. This is also applied to three pole tripping schemes.

3.1.21 Close Mode Selection (CMS)

Close Mode Selection (CMS) refers to the autoreclose sequence selected. The setting can be changed by the front panel keypad; or status inputs wired to panel switches or telecontrol; or communications.

The table below illustrates the available autoreclose schemes i.e. 1st Action = 1P refers to first reclose attempt is allowed to be a Single Pole Reclose; 1st Action = 1P/3P refers to first reclose attempt can be either Single Pole OR Three Pole; 2nd Action = 3P refers to second reclose attempt can only be Three Pole Reclose; 2nd Action = LO refers that no reclose will be allowed and that for any further reclose initiations (protection trips), the relay will go to Lockout.

1 st Action	2 nd Action	3 rd Action	CMS Setting from keypad/ comm's.
F-LO			Off
1PF-1PR	F-LO		1P
F-3PR	F-LO		3P
1PF-1PR 3PF-3PR	F-LO		1P/3P
1PF-1PR 3PF-3PR	3PR 2*3PF-LO	F-LO	1P3P/3P

F-3PR	F-3PR	F-LO	3P3P
1PF-1PR 3PF-LO	1PF-1PR 3PF-LO	F-LO	1P1P
1PF-1PR 3PF-3PR	1PF-1PR 3PF-3PR	F-LO	1P1P/3P3P

The Close Mode Selection defines the allowable number and type of reclose shots allowed during the sequence.

KEY:	1PF	Single Pole Fault
	1PT	Single Pole Trip
	1PR	Single Pole Reclose
	LO	Lockout
	3PF	Three Pole Fault
	3PR	Three Pole Reclose
	F	Any Fault

SINGLE SHOT SEQUENCE

The following tables attempt to define the autoreclose sequence for that selected Close Mode setting. For example

1st Action

1PF - 1PR

A Single Pole Fault which results in a Single Pole Protection trip will initiate a Single Pole Reclose.

1st Action

3PF - LO

If the first protection trip is multi-phase then no reclose attempt will be allowed and the reclose relay will proceed directly to Lockout.

2nd Action

F - LO

Any fault occurring in the Reclaim time will result in the reclose relay proceeding directly to Lockout.

CMS set to 1P, Single Phase Operating Sequence - 1 POLE

1 st Action	2 nd Action
1PF - 1PR	F - LO
3PF - LO	

Single Pole Operation

The CMS setting provides for a one shot Single Pole autoreclose sequence.

The Autoreclose sequence will be started by a single pole reclose initiation provided only a single pole of the CB pole has opened, there is no Reclose Lockout signal present and the selection of the Close Mode Selection (CMS) function permits single pole reclosing.

If the single pole trip evolves into a multiple phase trip the single pole reclosing sequence is disabled.

The single pole initialisation signal will be maintained until it is reset by the closing of the open pole of the CB.

If no Lockout condition exists after the single phase reclosing sequence has elapsed the open pole is closed directly by issuing a Close Pulse to the breaker close coils.

The Reclaim time timer will be started by the Close command to the CB.

All subsequent tripping within the Reclaim time following an autoreclose can be set to be three pole.

CMS set to 3P, Three Phase Operating Sequence - 3 POLE

1 st Action	2 nd Action
1PF - 3PT - 3PR	F - LO
3PF - 3PR	F - LO

The CMS setting provides for a one shot Three Pole autoreclose sequence.

The 3 phase Dead time timer will be started by a three pole reclose initiation provided all poles of the CB have opened, there is no Reclose Lockout signal present, the selection of the CMS function permits 3 pole reclosing.

If 3 pole closing only is selected, the recloser will issue a three pole trip select.

The initiation command will be maintained until it is reset by the closing of the open breaker.

For a 3 pole reclose, if the line and/or busbar are 'dead', and if no lockout condition exists, it will be possible to issue a close pulse directly to the CB. However should both the line and busbar be 'live', a 3 pole reclose of the open breaker is only possible following a successful Check Synchronism, whereupon a closing pulse will be issued to the CB.

Following a decision to close, a timer will ensure that the Close Pulse is maintained long enough to allow for the spring rewind time if a single pole trip and reclose preceded the 3 pole trip.

The Reclaim time timer will be started by the close command to the CB.

All subsequent tripping within the Reclaim time following an autoreclose can be set to be three pole.

CMS set to 1P/3P, Single or Three Pole Operation - 1P/3P

1 st Action	2 nd Action
1PF - 1PR	F - LO
3PF - 3PR	F - LO

Single or Three Pole Operation

The CMS setting provides for a single shot Single or Three Pole autoreclose sequence.

If the single pole trip evolves into a multiple phase trip the single pole reclosing sequence will be disabled and the sequence will proceed with a three phase reclose after the appropriate three phase dead time provided all three poles of the CB have opened.

If a single pole trip causes all poles of the CB to open then a three pole reclose will be allowed after the appropriate three pole deadtime.

TWO SHOT SEQUENCES

CMS set to 1P3P/3P, Two Shot Reclosing Sequence - IP3P/3P

1 st Action	2 nd Action	3 rd Action
1PF - 1PR	1PF - 3PT - 3PR	F – LO
3PF - 3PR	F – LO	

Single Pole then Three Pole Operation OR Three Pole

The CMS setting provides for a two shot autoreclose sequence if the first shot has been a Single Pole reclose. This option is commonly applied to Transmission systems and succeeds because the opening of all three poles of the CB after a failed single pole reclose can remove the mechanism of induced voltage across the phases which caused the reclose to fail.

If the CB re-trips for a recurring fault within the Reclaim time following a single pole autoreclose, a 3 pole autoreclose can be initiated if a second reclose attempt is permitted.

A second reclose is permitted if the CMS function is selected to 1P3P and the Block Second Shot input has not been initiated.

When the Block Second Shot input is initiated, a second reclose attempt is not permitted.

When a second reclose is permitted, the Reclaim time is reset by the renewed reclose initiation signal and commences again with the close command to the CB.

For a 3 pole reclose, if the line and/or busbar are 'dead', and if no lockout condition exists, it will be possible to issue a close pulse directly to the CB. However should both the line and busbar be 'live', a 3 pole reclose of the open breaker will only be possible following a successful synchronism check, whereupon a close pulse is issued to the CB.

Following a decision to reclose, a timer ensures that the close pulse is maintained long enough to allow for the spring rewind time if a single pole trip and reclose preceded the 3 pole trip.

The 3 phase Dead time timer is started by a 3 pole reclose initiation for a recurring fault within the Reclaim time following a single pole trip and autoreclose.

If the breaker re-trips within the Reclaim time following a 3 pole second reclose, the Lockout condition will be established immediately to ensure no further 3 pole recloses are attempted.

All subsequent tripping within the Reclaim time following an autoreclose can be set to be three pole.

CMS set to 3P3P, Two Shot Reclosing Sequence - 3P3P

1 st Action	2 nd Action	3 rd Action
1PF - 3PT - 3PR	1PF - 3PT - 3PR	F - LO
3PF - 3PR	3PF - 3PR	F - LO

3P3P

The CMS setting provides for a two shot Three Pole autoreclose sequence.

CMS set to 1P1P/3P3P, Two Shot Reclosing Sequence - 1P1P/3P3P

1 st Action	2 nd Action	3 rd Action
1PF - 3PT - 3PR	1PF - 3PT - 3PR	F - LO
3PF - 3PR	3PF - 3PR	F - LO

1P1P/3P3P

The CMS setting provides for a two shot, Single or Three Pole autoreclose sequence.

CMS set to 1P1P, Two Shot Reclosing Sequence - 1P1P

1 st Action	2 nd Action	3 rd Action
1PF - 1PR	1PF - 3PT - 3PR	F - LO
3PF - LO	F - LO	

1P1P

The CMS setting provides for a two shot Single Pole autoreclose sequence.

CMS Change Selection

The method of changing the Close Mode Selection by a connection of status inputs wired to a switch or telecontrol is outlined below:

CMS Change One	CMS Change Two	CMS Change Three	CMS Scheme Selected
0	0	0	No Change
0	0	1	1P
0	1	0	3P
0	1	1	1P/3P
1	0	0	1P3P/3P
1	0	1	3P3P
1	1	0	1P1P
1	1	1	1P1P/3P3P

A change to the CMS scheme is implemented if the switch position remains at the new setting for greater than 2 seconds. To allow for connection to tele-control pulses, no change is implemented when all inputs are not energised. The switch should either stay at it's selection or return to it's 'no change' position after the change has completed.

Note: It is not possible to select Close Mode Selection to OFF by the CMS Change Status Inputs. A/R Out Status Input can be used for this purpose.

3.2 Voltage monitoring elements

3.2.1 Undervoltage detectors

The undervoltage detectors, if enabled, can block a close output command if either the line voltage or the bus voltage is below the undervoltage setting value. Both line and bus have their own independent settings.

3.2.2 Differential voltage detectors

The differential voltage detector, if enabled, can block a close output command if the difference between the line and bus voltages is greater than the differential voltage setting value.

3.2.3 Voltage detectors

Voltage detectors determine the status of the line or bus. If the voltages on either the line or bus are below a set threshold level they can be considered to be 'dead'. If the voltages are within a setting band around the nominal voltage they are classed as 'live'. Independent voltage detectors are provided for both line and bus.

If a voltage is in the dead band range then it will be classed as dead until it has reached the live band area. Similarly, if a voltage is live, it continues to be live until it has reached the dead band area. This effectively allows for variable amounts of hysteresis to be set. Figure 3 illustrates the voltage detector operation.

Note : the area between the dead and live zones is not indeterminate. When any voltage is applied to the relay it will ramp up the software RMS algorithm and always pass through the dead zone first.

Although a wide range is provided for live and dead voltage detector levels, these must not overlap. The relay software acts to prevent this from happening and this is to stop unusual alarm outputs and conflicts with internal logic elements. If the user attempts to increment the dead voltage level to the live voltage level, the relay will not accept the setting. Similarly, if the live level is decremented to the dead level, the setting will not be allowed. The two voltages are displayed simultaneously on the LCD so that this operation is clear to the user.

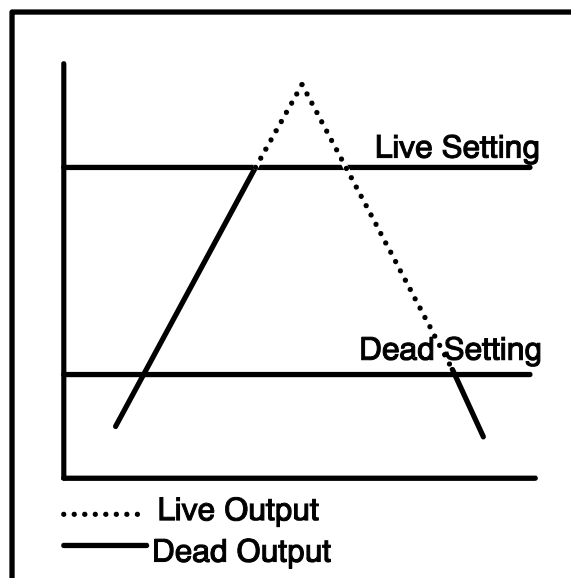


Figure 3 - Voltage Detector Operation

3.2.4 Sync Override Logic

For certain switching operations, a means of bypassing the Check Synchronisation function is provided. This is provided with a separate Sync Override and a separate Manual Sync Override.

3.3 Check Synchronising Mode

For the relay to issue a CheckSync Close the following conditions have to be met :

CS PHASE ANGLE – the phase difference between the line and bus voltages has to be less than the phase angle setting value. Whilst within the limits the phase angle can be increasing or decreasing and the element will still issue a valid close signal.

CS SLIP FREQUENCY, [If ENABLED] – the frequency difference between line and bus has to be less than the slip frequency setting value.

CS SLIP TIMER, [If ENABLED] – the phase angle and voltage blocking features have to be within their parameters for the length of the slip timer setting. If either the phase angle or the voltage elements fall outside of their limits the slip timer is reset. If they subsequently come back in then the slip timer has to time out before an output is given. (This ensures that a close output will not be given if there is a transient disturbance on the system due to e.g. some remote switching operations).

LINE U/V DETECTOR, [If ENABLED] – the line voltage has to be above the line undervoltage setting value for an output to be given.

BUS U/V DETECTOR, [If ENABLED] – the bus voltage has to be above the bus undervoltage setting value for an output to be given.

DIFFERENTIAL VOLTAGE DETECTOR, [If ENABLED] – the difference between the line and bus voltages has to be less than the ΔV detector setting value for an output to be given.

The relay is always started in Check Synchronising mode of operation. To proceed to System Synchronisation a system split must occur.

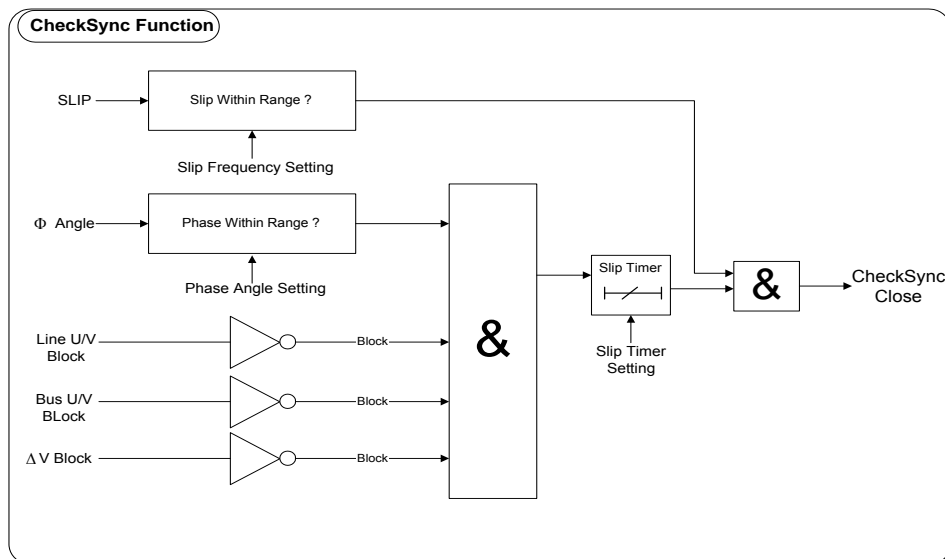


Figure 4 - Check Sync Function

3.3.1 Manual Sync Override Feature

If manual closes are required to be carried out via an operator, these will be performed with Check Synchronisation unless the Manual Sync Override input is energised.

3.4 System Split Detector

A system split occurs where there is a loosely tied or non-parallel circuits on a power system. Under these conditions the frequencies of the voltages either side of the breaker are asynchronous and therefore high phase angle differences can occur as the frequencies slip past each other. The system split detector operates when the phase angle difference exceeds a pre-set value. The setting range for a system split is from 90°-175° step 1°.

Note : the system split setting is effectively an absolute value and therefore a split will occur at the value regardless of the direction of the frequency slip e.g. if an angle of 170° is selected, then starting from 0°, a split will occur at +170° or -170° (effectively +190°).

If a system split occurs during a CheckSync operation the following events occur :

- The CheckSync function is inhibited.
- The SystemSync function is started if the setting has been set to A/R Split Action SYSTEM SYNC. If the A/R Split Action has been set to LOCKOUT, then, a system split LED indication is given. The relay will stay in this lockout mode until one of the following methods of resetting it is performed:
 - 1) The relay is reset from Lockout.
 - 2) A status input command is received.
 - 3) An appropriate IEC870 comms. Command is received.
- An event is recorded.
- The split flag can be mapped to an output relay for alarm indication.
- The system split LED will stay on for a minimum time, or can be latched using non self reset LEDs.

3.5 System Synchronising Mode

For the relay to issue a SystemSync Close the following conditions have to be met :

SS PHASE ANGLE – the phase difference between the line and bus voltages has to be less than the phase angle setting value and the phase angle has to be decreasing before the element will issue a valid close signal.

SS SLIP FREQUENCY, [If ENABLED] – the frequency difference between line and bus has to be less than the slip frequency setting value.

SS SLIP TIMER, [If ENABLED] – the phase angle and voltage blocking features have to be within their parameters for the length of the slip timer setting. If either the phase angle or the voltage elements fall outside of their limits the slip timer is reset. If they subsequently come back in then the slip timer has to time out before an output is given. (This ensures that a close output will not be given if there is a transient disturbance on the system due to e.g. some remote switching operations).

LINE U/V DETECTOR, [If ENABLED] – the line voltage has to be above the line undervoltage setting value for an output to be given.

BUS U/V DETECTOR, [If ENABLED] – the bus voltage has to be above the line undervoltage setting value for an output to be given.

DIFFERENTIAL VOLTAGE DETECTOR, [If ENABLED] – the difference between the line and bus voltages has to be less than the ΔV detector setting value for an output to be given.

The System Synchronising operation of the relay can be started in two different ways. It is set by the 'A/R Split Action' setting which has three parameters : LOCKOUT , SYSTEM SYNC, CLOSE ON ZERO; or 'MC Split Action' setting which also has three parameters : CLOSE ON ZERO, CHECK SYNC, SYSTEM SYNC.

If the 'A/R Split Action' setting is set to :

LOCKOUT : after a split has occurred the relay will go into lockout mode

SYSTEM SYNC: the relay will only start system synchronising after a split condition has occurred. It will issue a System Sync Close automatically if the relevant parameters are met.

CLOSE ON ZERO : the relay will only start system synchronising after a split condition has occurred. The relay will issue a close command determined by the CB close time and synchronisation parameters.

If the 'MC Split Action' setting is set to :

CLOSE ON ZERO : the relay will only start system synchronising after a split condition has occurred. The relay will issue a close command determined by the CB close time and synchronisation parameters.

CHECK SYNC: the relay will only start system synchronising after a split condition has occurred. It will issue a Check Sync Close automatically if the relevant parameters are met.

SYSTEM SYNC: the relay will only start system synchronising after a split condition has occurred. It will issue a System Sync Close automatically if the relevant parameters are met.

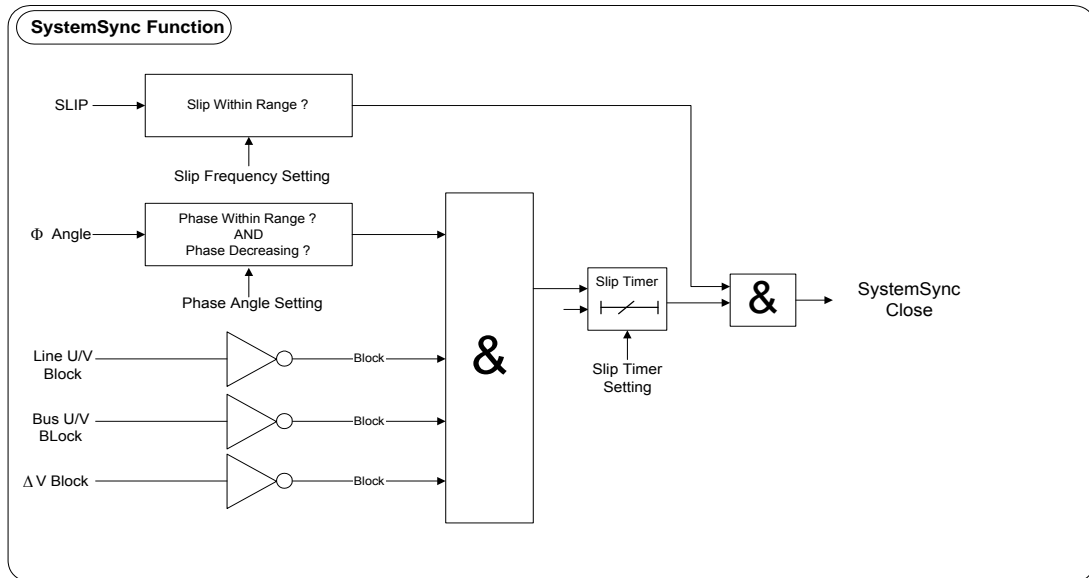


Figure 5 - System Sync Function

4 OTHER FEATURES

4.1 Metering

The metering feature provides real-time data available from the relay fascia in the 'Instruments Mode' or via the communications interface. The following displays are available :

- Phase difference between Line and Bus
- Frequency of both Line and Bus
- Frequency slip between Line and Bus
- RMS volts for both Line and Bus
- Voltage Differential between line and Bus
- Total Number of CB Closes per phase
- Delta Number of CB Closes per phase
- A/R State
- Digital input status
- Output relay status
- Date - displayed in DD/MM/YY format
- Time - displayed in HH:MM:SS format

Note : while the instrument displays are updated as often as the software routines can service them, some have their response time deliberately slowed down to enable them to be read.

Figure 6 shows the display menu structure from where the available instruments can be accessed.

4.2 Data Storage

Data records are available in two forms, namely Waveform records and Event records. All records are time and date stamped with a real time clock which maintains the time even when the relay is de-

energised. Time and date can be set either via the relay fascia using appropriate commands in the System Config menu or via the communications interface. In the latter case, relays connected in a network can be synchronised by a global time sync command.

Alternatively, synchronising pulses can be received via a special input.

4.2.1 Waveform Records.

The waveform record feature stores analogue and digital information for the voltage inputs, status inputs and output relays. A single phase waveform record for both the line and bus voltages can be stored and this shows the voltages at either side of the breaker at the moment of closing of the switch. The waveform record is 1 second wide with a sampling resolution of 8 samples per cycle. The recorder feature has the ability to store records for the previous ten close operations of the relay. These are labelled 1-10 with 1 being the most recent record.

The waveform recorder is triggered in the following ways :

- Via the waveform trigger status input signal.
- by the Close Pulse.

4.2.2 Event Records

The event recorder feature allows the time tagging of any change of state (Event) of the relay. As an event occurs the actual event condition is logged as a record along with a time and date stamp to a resolution of 5msec. There is capacity for a maximum of 500 event records to be stored in the relay and when the event buffer is full any new record will over-write the oldest. The following events are logged :

- Change of setting (though not the actual setting change). Also indication of which group of settings is active.
- Change of state of Output Relays.
- Change of state of Status Inputs.
- Change of state of any of the control functions of the relay.
- Change of state of any of the voltage elements.

For a full list of all the events available see Table 1.

4.3 Communications

A fibre optic communication port is provided which gives superior EMC performance. Communication is compatible with the IEC870-5-103 FT 1.2 transmission and application standards. For communication with the relay via a PC (personal computer) a user-friendly software package, REYDISP EVOLUTION [1], is available to allow transfer of the following:

- Relay Settings
- Waveform Records
- Event Records
- Close Data Records
- Instrument and meters
- Control Functions

Communications operation is described in detail in Section 4 of this manual.

4.4 Multiple Setting Group.

The relay provides four alternative setting groups, making it possible to edit one group while the relay protection algorithms operate using another 'active' group. An indication of which group is being viewed is given by the 'Gn' character in the top left of the display. The relay can then be switched instantaneously from one group of settings to another to cater for reconfiguration of the power system. Changeover will occur within 25 msec.

A change of group can be achieved either locally at the relay fascia, remotely via a communication interface command or by energisation of a status input. In the case of the latter method, the 'Sett Grp

Select' setting in the SYSTEM CONFIG MENU is used to configure one of the status inputs to select a settings group. The selected group is then made active if the status input is energised and remains active for as long as the input remains energised.

4.5 Password Feature

The programmable password feature enables the user to enter a 4 character alpha-numeric code to secure access to the relay settings. The relay is supplied with the password set to 'NONE' which means that the password feature is not activated. Once a password has been entered then it will be required thereafter to change settings. It can, however, be de-activated by using the password to gain access and by resetting it back to 'NONE'.

As soon as the user attempts to change a setting the password is requested before any setting alterations are allowed. Once the password has been validated, the user is 'logged on' and any further changes can be made without re-entering the password. If no more changes are made within 1 hour then the user will automatically be 'logged off', re-enabling the password feature.

Note that the password validation screen also displays a numerical code. If the password is lost or forgotten, this code can be communicated to Reyrolle Protection by authorised personnel, and the password can be retrieved.

5 USER INTERFACE

The user interface is designed to provide a user-friendly method of entering settings and retrieving data from the relay. The relay fascia includes a 20 character by 2 line, backlit, liquid crystal display (LCD), 16 (E8), or 32 (E12) light emitting diodes (LED) and 5 push buttons. Figure 7 shows the fascia.

5.1 Liquid Crystal Display

The liquid crystal display is used to present settings, instrumentation and close data in a textual format.

To conserve power the display backlighting is turned off if no push buttons are pressed for 5 minutes. After an hour the whole display is de-activated except if the display is left in the 'Instruments Mode' where it remains visible permanently. This is so that instruments such as voltages can be displayed continuously.

5.2 LED Indications

The following indications are provided :

- Protection Healthy – Green LED.

This LED is solidly illuminated to indicate that DC volts have been applied to the relay and that the relay is operating correctly. If the internal relay watchdog detects a permanent fault then this LED will continuously flash.

- Programmable – Red LED.

An LED MENU is provided to steer any output to an LED. Useful during commissioning to check the autoreclose logic.

5.3 Keypad

Five pushbuttons are used to control the functions of the relay. They are labelled \uparrow \downarrow \Rightarrow ENTER and CANCEL. Note that the \Rightarrow button is also labelled TEST/RESET.

When the relay front cover is in place only the \downarrow and \Rightarrow buttons are accessible. This allows only read access to all the menu displays.

5.4 Settings and Displays

The display menu structure is shown in Figure 6. This diagram shows the three main modes of display, which are the Settings Mode, Instruments Mode and the Fault Data Mode.

On relay start up the user is presented with a default relay identifier,

Settings Defaulted

which shows that the relay has been set with the standard factory default settings.

Pressing the \Rightarrow key on this display initiates an LED test. Pressing \Downarrow at this display allows access to the three display modes which are accessed in turn by pressing the \Rightarrow key.

The Settings Mode contains 11 setting sub-menu's. These hold all of the programmable settings of the relay in separate logical groups. The sub menus are accessed by pressing the \Rightarrow key. This enters the sub menu and presents a list of all the settings within that sub menu. Pressing the \Downarrow key scrolls through the settings until after the last setting in the group the next sub menu is presented. Access to this group is via the same method as before. If a particular sub menu is not required to be viewed then pressing the \Downarrow key will skip past that particular menu and present the next one in the list. Note that all screens can be viewed even if the password is not known. The password only protects against unauthorised changes to settings.

While viewing an editable screen pressing the ENTER key allows the user to change the displayed data. The editable field will be indicated by a flashing character(s). Pressing \Uparrow or \Downarrow scrolls through the available setting values or, pressing the \Rightarrow key moves right through the edit fields. Note that all settings can be incremented or decremented using the \Uparrow or \Downarrow keys and they all wraparound so that to go from e.g. a setting minimum value to the maximum value it is quicker to press the \Downarrow key, rather than scroll through every setting. Also, to facilitate quicker setting changes an acceleration feature is available which if, \Uparrow or \Downarrow are depressed and held, then the rate of scrolling through the setting values increases.

If CANCEL is pressed during a setting change operation the original setting value is restored and the display is returned to the normal view mode.

If changes are made to the setting value then pressing ENTER disables the flashing character mode and displays the new setting value. This is immediately stored in non-volatile memory.

The next sections give a description of each setting in the relay. The actual setting ranges and default values can be found in the Relay Settings section of this manual.

Note : the relay exhibits a method of locking settings which are not relevant to a particular customer scheme which is known as setting dependencies. Some settings are dependant on others and if a function is not enabled then associated settings can not be used e.g. example if System Sync is not required then all System Sync settings are locked.

There are many examples of setting dependencies and care must be taken to ensure a function is enabled before looking for other associated settings which may be hidden. The following list of settings shows all possible settings that can be displayed.

5.5 System Config Menu

Active Group - this setting selects the settings group that the relay will act upon.

View/Edit Group – this setting selects the settings group to be displayed on the LCD.

Calendar – Set Date – this setting sets the current date in DD/MM/YY format.

Clock – Set Time – this setting sets the time in HH:MM:SS format. Note that only the hours and minutes can be set. The seconds default to zero on pressing the ENTER key.

Switched Group – this setting sets the group number which will be selected when the Switch Group Status Input is active.

Change Password – this setting allows a 4 character alphanumeric code to be entered as the password. Note that the display shows a password dependant encrypted code on the second line of the LCD.

Set Identifier – this setting allows a 16 character alphanumeric code or unique identification reference to be entered for the relay.

5.6 A/R Menu

A/R In Service – this setting switches the Autoreclose in or out.

Close Mode Selection – this setting selects the appropriate autoreclose sequence.

Gn Dead Bar Close – this setting determines the closing action.

Gn Dead Line Close – this setting determines the closing action.

Gn Check Sync Close – this setting determines the closing action.

Gn First 1P Deadtime – this setting sets the first shot Single pole deadtime time delay.

Gn Second 1P Deadtime – this setting sets the second shot Single pole deadtime time delay

Gn First 3P Deadtime – this setting sets the first shot Three pole deadtime time delay.

Gn Second 3P Deadtime – this setting sets the second shot Three pole deadtime time delay.

Gn Start Deadtime – this setting selects how to initiate the deadtime.

Gn 3P Deadtime Initiate – this setting sets whether the deadtime can be initiated from three phase faults.

Gn CB Aux Switches – this setting sets the type of connection to the CB Auxiliary contacts.

Gn CB Close Pulse – this setting sets the close pulse duration.

Gn Reclaim Time – this setting sets the reclaim time.

Gn Sync Close Delay – this setting sets the allowable time the Autoreclose sequence will wait for an In Sync signal before the sequence is locked out.

Gn Permissive Close Delay – this setting sets the allowable time a Block Reclose or Inhibit Close may be active before the Autoreclose sequence is locked out.

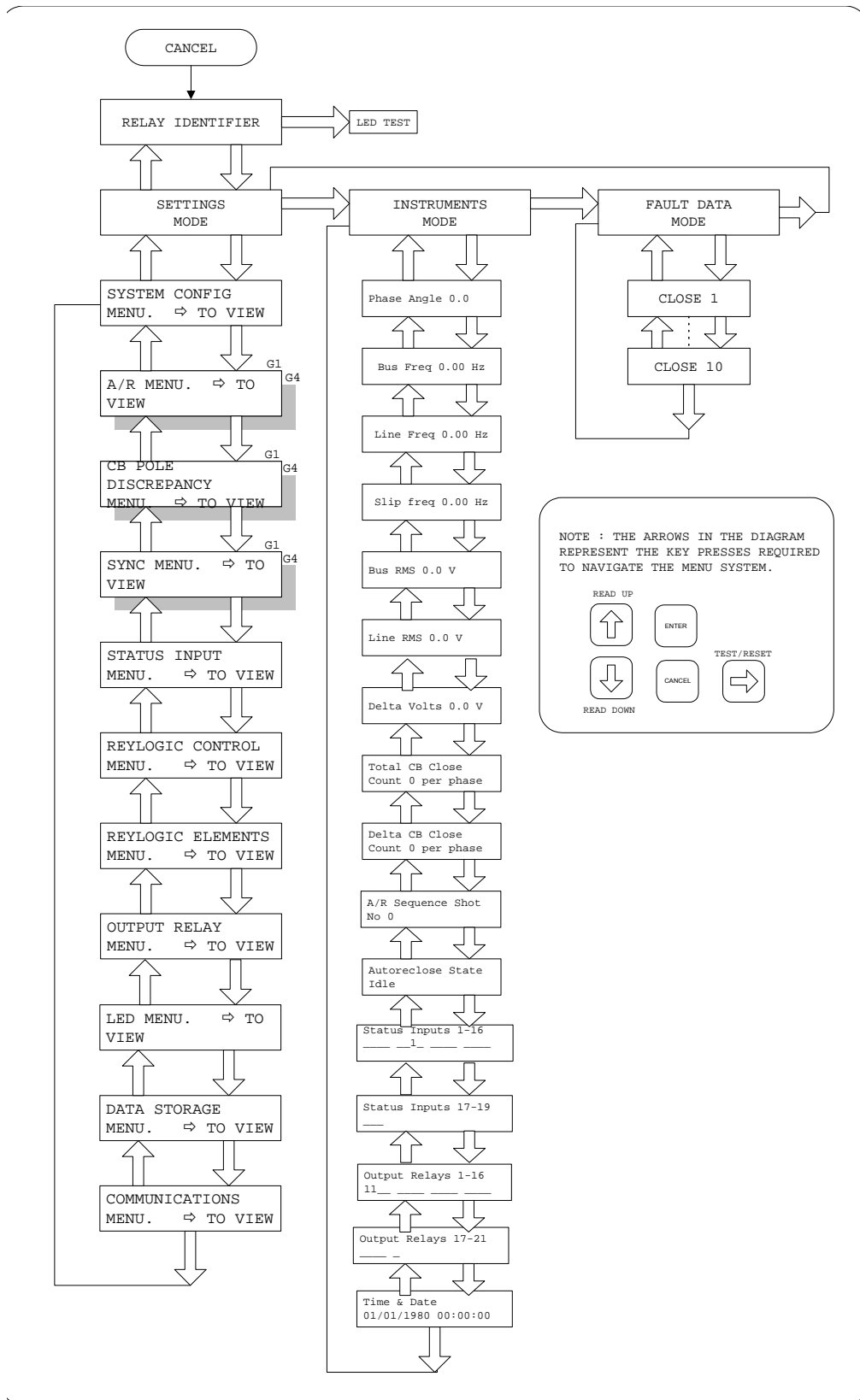


Figure 6 - Display Menu Structure

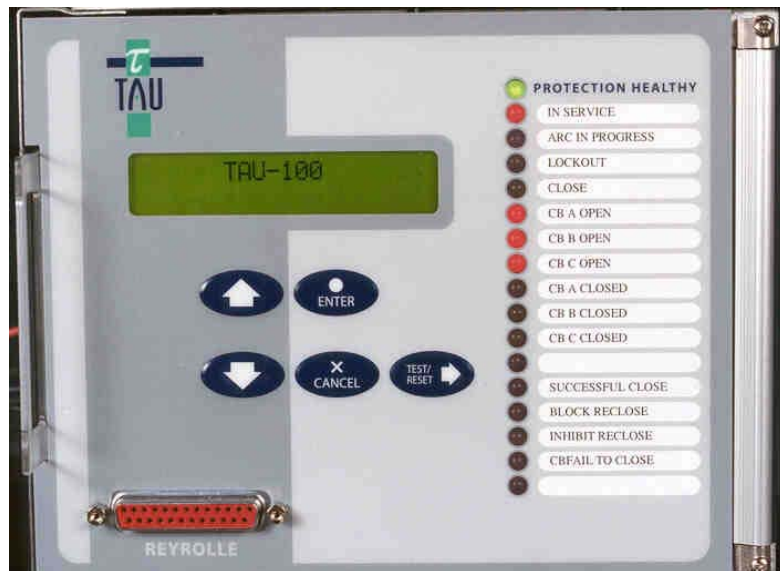


Figure 7 - Tau E8 Relay Fascia

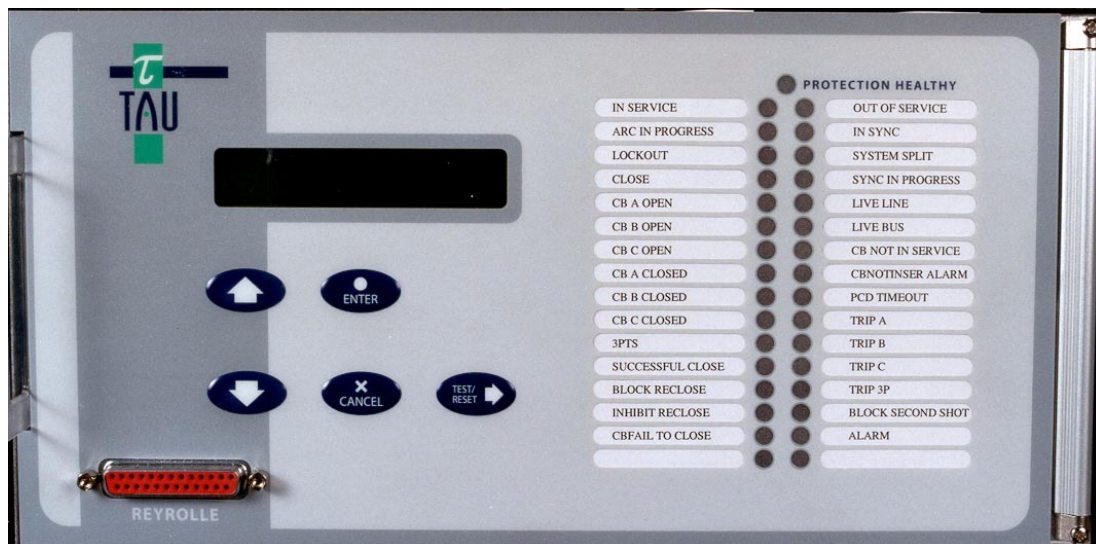


Figure 8 – Tau E12 Relay Fascia

Event Table

Event Description	Event Code	GI	Frame Type
Data lost	0	6	1
Reset FCB	2	6	5
Reset CU	3	6	5
Start/Restart	4	6	5
Power On	5	6	5
AR in progress	16	6	1
Teleprotection Active	17	6	1
Protection Active	18		
LEDs reset	19	6	1
Monitor Direction Reset	20		
Trip Test	21		
Settings Changed	22	4	1
Setting G1 selected	23	4	1
Setting G2 selected	24	4	1
Setting G3 selected	25	4	1
Setting G4 selected	26	4	1
Input 1	27	4	1
Input 2	28	4	1
Input 3	29	4	1
Input 4	30	4	1
CB on by AR	128	6	1
CB "on" by long time AR	129	6	1
Reclose blocked	130	6	1
Lockout	131	6	1
CBFailToClose	132	6	1
CBFailToOpen	133	6	1
CloseOntoFault	134	6	1
VTFailAlarm	135	6	1
CBCloseCounterAlarm	136	6	1
SyncInProgress	137	6	1
SyncOverride	138	6	1
DeadLineClose	139	6	1
DeadBusClose	140	6	1
SystemSplit	141	6	1
CheckSyncStart	142	6	1
Input 5	165	4	1
Input 6	166	4	1
Input 7	167	4	1
Input 8	168	4	1
Input 9	169	4	1
Input 10	170	4	1
Input 11	171	4	1
Input 12	172	4	1
Input 13	173	4	1

Input 14	174	4	1
Input 15	175	4	1
Input 16	176	4	1
Input 17	177	4	1
Input 18	178	4	1
Input 19	179	4	1
Input 20	180	4	1
Input 21	181	4	1
Input 22	182	4	1
Input 23	183	4	1
Input 24	184	4	1
Input 25	185	4	1
Input 26	186	4	1
Input 27	187	4	1
Input 28	188	4	1
Input 29	189	4	1
Input 30	190	4	1
Input 31	191	4	1
Input 32	192	4	1
Output 1	193	4	1
Output 2	194	4	1
Output 3	195	4	1
Output 4	196	4	1
Output 5	197	4	1
Output 6	198	4	1
Output 7	199	4	1
Output 8	200	4	1
Output 9	201	4	1
Output 10	202	4	1
Output 11	203	4	1
Output 12	204	4	1
Output 13	205	4	1
Output 14	206	4	1
Output 15	207	4	1
Output 16	208	4	1
Output 17	209	4	1
Output 18	210	4	1
Output 19	211	4	1
Output 20	212	4	1
Output 21	213	4	1
Output 22	214	4	1
Output 23	215	4	1
Output 24	216	4	1
Output 25	217	4	1
Output 26	218	4	1
Output 27	219	4	1
Output 28	220	4	1
Output 29	221	4	1
Output 30	222	4	1

Output 31	223	4	1
Output 32	224	4	1
Successful Close	225	6	1
External AR Start	226	6	1
Manual Close	227	6	1
Reset lockout	228	6	1
AR Out	229	6	1
AR In	230	6	1
In Sync	231	4	1
Live Bus	232	4	1
Live Line	233	4	1
Trip	234	6	1
Starter	235	6	1
Reclose Lockout	236	6	1
Trip And Reclose Input	237	6	1
CB PoleDiscrepancy	238	6	1
Reclaim	239	6	1
Ext Group Change	240	6	1
Ext Group Back	241	6	1
Manual Sync Override	242	6	1
Intertrip Receive	243	6	1
Autosolation Complete I/P	244	6	1
Inhibit Seq Isolation	245	6	1
Persistent Intertrip	246	6	1
Autosolation Fail	247	6	1
Autosolation Completed	248	6	1
Autosolation Initiate	249	6	1

Table 1 - Tau Event Codes**KEY :**

Event Code – is the allocated number given to a particular event.

GI – If the relay is interrogated for its events using the general interrogation (GI) command then only those indicated with the 4 will respond.

Frame Type – a '1' indicates that the event is time tagged. A '5' indicates an event which is generated only on power-on or reset of the relay.

7SG26 Tau

Auto Re-close

Document Release History

This document is issue 2010/02. The list of revisions up to and including this issue is:
Pre release

2010/02	Document reformat due to rebrand
---------	----------------------------------

Software Revision History

The copyright and other intellectual property rights in this document, and in any model or article produced from it (and including any registered or unregistered design rights) are the property of Siemens Protection Devices Limited. No part of this document shall be reproduced or modified or stored in another form, in any data retrieval system, without the permission of Siemens Protection Devices Limited, nor shall any model or article be reproduced from this document unless Siemens Protection Devices Limited consent.

While the information and guidance given in this document is believed to be correct, no liability shall be accepted for any loss or damage caused by any error or omission, whether such error or omission is the result of negligence or any other cause. Any and all such liability is disclaimed.

Contents

1. GENERAL	3
2. CHARACTERISTIC ENERGIZING QUANTITY	3
3. AUXILIARY ENERGIZING QUANTITY	3
3.1 DC Power Supply	3
3.2 DC Status Inputs	3
4. SETTING RANGES.....	4
5. ACCURACY REFERENCE CONDITIONS	4
6. ACCURACY	5
7. ACCURACY GENERAL.....	5
8. ACCURACY INFLUENCING FACTORS	5
9. THERMAL WITHSTAND.....	6
10. BURDENS.....	6
11.OUTPUT CONTACTS.....	6
12.INDICATION.....	6
13.ENVIRONMENTAL WITHSTAND.....	6

1. GENERAL

The relay complies with the relevant clauses in the following specifications:-

- BS142
- IEC 255

2. CHARACTERISTIC ENERGIZING QUANTITY

AC Voltage Vn	63.5 Vrms
Frequency	50 / 60Hz

3. AUXILIARY ENERGIZING QUANTITY

3.1 DC Power Supply

	Nominal	Operating Range
V _{AUX}	48V, 110V	37.5 to 137.5V dc
V _{AUX}	220V	88V to 280V dc

3.2 DC Status Inputs

Nominal Voltage	Operating Range
30 / 34	18V to 37.5V
48 / 54	37.5V to 60V
110 / 125	87.5V to 137.5V
220 / 250	175 to 280V

Minimum of 3 status inputs. Additional modules of 8 self configuring programmable status inputs, opto-isolated may be installed.

Options Available 24V, 30V, 48V, 110 or 220V DC

NB. If status inputs are operated from 110 or 220V auxiliary supplies then external dropper resistors are required and can be supplied:-

Status Input External Resistances

Nominal Voltage	Resistor Value (Wattage)
110 / 125V	2k7 ± 5% ; (2.5W)
220 / 250V	8k2 ± 5% ; (6.0W)

Status Input Performance

Minimum DC current for operation	10mA
Reset/Operate Voltage Ratio	≥ 90%
Typical response time	<5ms
Typical response time when programmed to energise an output relay contact	<15ms
Minimum pulse duration	40ms

Each status input has associated timers which can be programmed to give time delayed pick-up and time delayed drop-off. The pick-up timers have default settings of 15ms, thus providing immunity to an AC input signal. Status inputs will not respond to the following:

- 250V RMS 50/60Hz applied for two seconds through a 0.1μF capacitor.
- 500V RMS 50/60Hz applied between each terminal and earth.
- Discharge of a 10μF capacitor charged to maximum DC auxiliary supply voltage.

The inputs meet the requirements of ESI48-4 ESI 1.

4. SETTING RANGES

DAR Settings

A/R In Service	In/Out
Close Mode Selection	OFF,1P,3P,1P/3P,1P3P/3P,1P1P,3P3P,1P1P/3P3P
Dead Bar Close	Enabled/Disabled
Dead Line Close	Enabled/Disabled
Check Sync Close	Enabled/Disabled
First 1P Deadtime	0.05 – 100sec in 0.05sec steps
Second 1P Deadtime	0.05 – 100sec in 0.05sec steps
First 3P Deadtime	0.1 – 900sec in 0.1sec steps
Second 3P Deadtime	0.1 – 900sec in 0.1sec steps
Start Deadtime	Trip Make, Trip & CB Open, Trip Reset
3P Deadtime Initiate	1P/2P,1P/2P/3P
CB Aux Switches	Type a, Type b, Type a&b
Close Pulse	0.1 – 20sec in 0.1sec steps
Reclaim Time	OFF - 1 – 600sec in 1sec steps
Sync Close Delay	1 – 60sec in 1sec steps
Permissive Close Delay	OFF -1 – 600sec in 1sec steps
Overall Sequence Timer	OFF – 1 – 3000sec in 1 sec steps
Sequence Fail Delay	OFF - 1 – 200sec in 1sec steps
Persistent Intertrip	1 – 180sec in 1sec steps
CB Fail To Open Delay	0.1 – 2000msec in 10msec steps
Minimum LO Time	0 – 60sec in 1sec steps
Reset LO By Timer	Enabled/Disabled
CB Indeterminate	50 –200ms in 10ms steps
CB Memory Timer	0 – 5sec in 1 sec steps
Set Type	Master / Slave
Total Close Count Alarm	1..999
Delta Close Count Alarm	1.999

Check Synchronising Settings

Dead Bus	5 – 150%
Live Bus	10 – 155%
Dead Line	5 – 150%
Live Line	10 – 155%
Bus Undervolts	OFF – 150%
Line Undervolts	OFF – 150%
Voltage Differential	OFF – 100%
Split Angle	OFF – 175°
Manual Close Split Action	COZ/SS/CS
Autoreclose Split Action	Lockout/COZ/SS
Check Sync Angle	5 - 90°
Check Sync Slip	OFF – 2000mHz
Check Sync Timer	OFF – 100s
System Sync Angle	5 - 90°
SS and COZ Slip Frequency	OFF – 2000mHz
System Sync Timer	OFF – 100s
CB Close Time	5 – 200ms

5. ACCURACY REFERENCE CONDITIONS

General	IEC255
Auxiliary Supply	Nominal

Rating	63.5 Vrms
Frequency	50 or 60Hz
Ambient Temperature	20°C

6. ACCURACY

CS and SS Phase Angle measurement	
Operate	Setting $-3^{\circ} + 0^{\circ}$
Reset	operate value $-0^{\circ} + 3^{\circ}$
CS and SS Slip Frequency	
Operate	Setting $-15\text{mHz} + 0\text{mHz}$
Reset	operate value $-0\text{mHz} + 15\text{mHz}$
Split Detector measurement	
Operate	setting $\pm 1.5^{\circ}$
Reset	detector is latched
Line and Bus Voltage Detector Elements	
Live Operate	setting $\pm 1\%$
Live Reset	dead operate setting $\pm 1\%$
Dead Operate	setting $\pm 1\%$
Dead Reset	live operate setting $\pm 1\%$
Line and Bus U/V Detector Elements	
Operate	Setting $\pm 1\%$
Reset	$< 104\%$ of operate value
ΔV Detector Element	
Operate	Setting $\pm 2\%$ or 0.5V whichever is greater
Reset	Typically $> 90\%$ (and always within 2V) of operate value
All Timers	
Timing Accuracy	$\pm 1\%$ or 10ms

7. ACCURACY GENERAL

Measuring Accuracy

Voltage	$\pm 1\%$ (for range 7V-132Vrms)
Frequency	Typically $\pm 10\text{mHz}$
Phase	Typically $\pm 1^{\circ}$

8. ACCURACY INFLUENCING FACTORS

Temperature

Ambient Range	-10°C to $+55^{\circ}\text{C}$
Variation over range	$\leq 5\%$

Frequency

Range	47Hz to 51Hz 57Hz to 61Hz
Setting variation	$\leq 1\%$
Phase Angle Measurement	$\leq 1\%$
Operating time variation	$\leq 1\%$

Auxiliary DC Supply - IEC 255-11

Allowable superimposed ac component	$\leq 12\%$ of DC voltage
Allowable breaks/dips in supply (collapse to zero from nominal voltage)	$\leq 20\text{ms}$

9. THERMAL WITHSTAND

Continuous Overload

AC Voltage	250Vrms
------------	---------

10. BURDENS

AC Burden

	AC Burden
63.5Vrms Input	$\leq 0.05VA$

DC Burden

	DC Burden
Quiescent (Typical)	<9 Watts (Tau100), <11 Watts (Tau200)
Max	<14 Watts

11. OUTPUT CONTACTS

Contact rating to IEC255-0-2.

Min 5 relays with c/o contacts. Additional modules of 8 self configuring programmable normally open output relays may be installed.

Any relay contact can be programmed for any function.

Carry continuously 5A ac or dc

Make and Carry

(limit $L/R \leq 40ms$ and $V \leq 300$ volts)

for 0.5 sec	20A ac or dc
for 0.2 sec	30A ac or dc

Break

(limit $\leq 5A$ or ≤ 300 volts)

ac resistive	1250VA
ac inductive	250VA @ PF ≤ 0.4
dc resistive	75W
dc inductive	30W @ $L/R \leq 40$ ms 50W @ $L/R \leq 10$ ms

Minimum number of operations	1000 at maximum load
Minimum recommended load	0.5W, limits 10mA or 5V

12. INDICATION

Green LED

Protection Healthy.

32 Red LED Array

Summary Info.

LCD

Alphanumeric display for settings, instrumentation and fault data.

13. ENVIRONMENTAL WITHSTAND

Temperature - IEC 68-2-1/2

Operating range	-10°C to +55°C
Storage range	-25°C to +70°C

Humidity - IEC 68-2-3

Operational test	56 days at 40°C and 95% RH
------------------	----------------------------

Transient Overvoltage -IEC255-5

Between all terminals and earth or between any two independent circuits without damage or flashover	5kV 1.2 / 50µs 0.5J
---	---------------------

Insulation - IEC 255-5

Between all terminals and earth	2.0kV rms for 1 min
Between independent circuits	2.0kV rms for 1 min
Across normally open contacts	1.0kV rms for 1 min

High Frequency Disturbance - IEC255-22-1 Class III

	Variation
2.5kV Common (Longitudinal) Mode	≤ 3%
1.0kV Series (Transverse) Mode	≤ 3%

Electrostatic Discharge - IEC255-22-2 Class III

	Variation
8kV contact discharge	≤ 5%

Radio Frequency Interference - IEC255-22-3 Class III

	Variation
20MHz to 1000MHz, 10V/m	≤ 5%

Fast Transient - IEC255-22-4 Class IV

	Variation
4kV 5/50ns 2.5kHz repetitive	≤ 3%

Vibration (Sinusoidal) - IEC255-21-1 Class 1

		Variation
Vibration response	0.5gn	≤ 5%
Vibration endurance	1.0gn	≤ 5%

Shock and Bump - IEC255-21-2 Class 1

		Variation
Shock response	5 gn 11ms	≤ 5%
Shock withstand	15 gn 11ms	≤ 5%
Bump test	10 gn 16ms	≤ 5%

Seismic - IEC255-21-3 Class 1

		Variation
Seismic Response	1gn	≤ 5%

Mechanical Classification

Durability	In excess of 10 ⁶ operations
------------	---

7SG26 Tau

Auto Re-close

Document Release History

This document is issue 2010/02. The list of revisions up to and including this issue is:
Pre release

2010/02	Document reformat due to rebrand
---------	----------------------------------

Software Revision History

The copyright and other intellectual property rights in this document, and in any model or article produced from it (and including any registered or unregistered design rights) are the property of Siemens Protection Devices Limited. No part of this document shall be reproduced or modified or stored in another form, in any data retrieval system, without the permission of Siemens Protection Devices Limited, nor shall any model or article be reproduced from this document unless Siemens Protection Devices Limited consent.

While the information and guidance given in this document is believed to be correct, no liability shall be accepted for any loss or damage caused by any error or omission, whether such error or omission is the result of negligence or any other cause. Any and all such liability is disclaimed.

Contents

1	SYSTEM CONFIG MENU.....	3
2	DAR MENU.....	3
3	POLE DISCREPANCY MENU.....	3
4	SYNC MENU.....	4
5	STATUS CONFIG MENU.....	4
6	REYLOGIC CONTROL MENU.....	5
7	REYLOGIC ELEMENTS MENU.....	5
8	OUTPUT RELAY MENU.....	6
9	LED MENU.....	7
10	DATA STORAGE MENU.....	8
11	COMMS INTERFACE MENU.....	8

1 SYSTEM CONFIG MENU

SETTING	RANGE	DEFAULT
Active Settings Group	G1-G4	G1
Settings Group Edit/View	G1-G4	G1
Calendar - Set Date	DD/MM/YY	01/01/99
Clock - Set Time	HH:MM:SS	00:00:00
Sett Grp Select	G1-G4	1
Change Password	4 alphanumeric characters	NONE
Set Identifier	Up to 16 alphanumeric characters	TAU

2 DAR MENU

SETTING	RANGE	DEFAULT
A/R In Service	IN/OUT	OUT
Close Mode Selection	OFF, 1P, 3P, 1P/3P, 1P3P/3P, 1P1P, 3P3P, 1P1P/3P3P	3P
Dead Bar Close	Enabled/Disabled	Disabled
Dead Line Close	Enabled/Disabled	Disabled
Check Sync Close	Enabled/Disabled	Enabled
First 1P Deadtime	0.05-100s step 0.05s	1.0s
Second 1P Deadtime	0.05-100s step 0.05s	1.0s
First 3P Deadtime	0.1-900s step 0.1s	5.0s
Second 3P Deadtime	0.1-900s step 0.1s	5.0s
Start Deadtime	Trip & CB Open, Trip Make, Trip reset	Trip & CB Open
3P Deadtime Initiate	1P/2P/3P, 1P/2P	1P/2P/3P
CB Aux Switches	Type a, Type b, Type a&b	Type a
CB Close Pulse	0.2-20s step 0.1s	2.0s
Reclaim Time	OFF - 1-600s step 1s	5s
Sync Close Delay	0-60s step 1s	30s
Permissive Close Delay	OFF - 0-600s step 1s	60s
Overall Sequence Timer	OFF – 1 – 3000s step 1s	OFF
Sequence Fail Timer	OFF-1-200s step 1s	OFF
Persistent Intertrip	1-180s step 1s	60s
CB Fail To Open Delay	50-2000ms step 10ms	100ms
Minimum LO Timer	0-60s step 1s	2s
Reset LO By Timer	Enabled/Disabled	Disabled
CB Indeterminate	50 – 200ms step 10ms	80ms
CB Memory Timer	0 – 5s step 1s	2s
Set Type	Master / Slave	Master
Total CB Close Counter	1-999 step1	100
Delta CB Close Counter	1-999 step1	20
Reset Total CB Count	YES/NO	NO
Reset Delta CB Count	YES/NO	NO

3 POLE DISCREPANCY MENU

SETTING	RANGE	DEFAULT
Pole Discrepancy Time	OFF-0.1-20.0s step 0.1s	1.6s

4 SYNC MENU

SETTING	RANGE	DEFAULT
Gn Bus Dead : Live	5-150% step1% 10-155% step 1%	20% 90%
Gn Line Dead : Live	5-150% step1% 10-155% step 1%	20% 90%
Gn Bus U/V Detector	OFF, 5-150% step 1%	90%
Gn Line U/V Detector	OFF, 5-150% step 1%	90%
Gn Voltage Differential	OFF-1-100% step 1%	10%
Gn Split Angle	OFF-95°-175° step1°	175°
Gn MC Split Action	Close On Zero/Check Sync/System Sync	Close On Zero
Gn A/R Split Action	Lockout/System Sync/Close On Zero	Lockout
Gn Check Sync Angle	5° - 90° step 1°	20°
Gn Check Sync Slip	OFF, 0.020 - 2.000Hz step 0.005Hz	0.050Hz
Gn Check Sync Timer	OFF, 0.1 - 100sec step 0.1sec	OFF
Gn System Sync Angle	5° - 90° step 1°	10°
Gn SS and COZ Slip Frequency	OFF, 0.010 - 2.000Hz step 0.005Hz	0.125Hz
Gn System Sync Timer	OFF, 0 – 100sec step 0.1sec	OFF
Gn CB Close Time	5-200ms step 5ms	60ms

5 STATUS CONFIG MENU

SETTING	RANGE	DEFAULT
Manual Close	S1..S13	None
A/R Out	S1..S13	None
A/R In	S1..S13	None
Inhibit Close	S1..S13	None
Block Reclose	S1..S13	None
Reclose Lockout	S1..S13	None
Block Second Shot	S1..S13	None
A Trip	S1..S13	None
B Trip	S1..S13	None
C Trip	S1..S13	None
3 Trip	S1..S13	None
Intertrip Receive	S1..S13	None
CB A Aux One	S1..S13	None
CB B Aux One	S1..S13	None
CB C Aux One	S1..S13	None
CB A Aux Two	S1..S13	None
CB B Aux Two	S1..S13	None
CB C Aux Two	S1..S13	None
Sync Override	S1..S13	None
Manual Sync Override	S1..S13	None
Reset lockout	S1..S13	None

SETTING	RANGE	DEFAULT
CMS Change One	S1..S13	None
CMS Change Two	S1..S13	None
CMS Change Three	S1..S13	None
Master Slave	S1..S13	None
Switch Groups	S1..S13	None
Trigger Storage	S1..S13	None

6 REYLOGIC CONTROL MENU

SETTING	RANGE	DEFAULT
General Logic	Enable/Disable	Enable

7 REYLOGIC ELEMENTS MENU

SETTING	RANGE	DEFAULT
ManualCloseTimer PU	0-60000ms step 1ms	15
ManualCloseTimer DO	0-60000ms step 1ms	0
InhibitCloseTimer PU	0-60000ms step 1ms	15
InhibitCloseTimer DO	0-60000ms step 1ms	0
AROutTimer PU	0-60000ms step 1ms	15
AROutTimer DO	0-60000ms step 1ms	0
ARInTimer PU	0-60000ms step 1ms	15
ARInTimer DO	0-60000ms step 1ms	0
TripATimer PU	0-60000ms step 1ms	15
TripATimer DO	0-60000ms step 1ms	0
TripBTimer PU	0-60000ms step 1ms	15
TripBTimer DO	0-60000ms step 1ms	0
TripCTimer PU	0-60000ms step 1ms	15
TripCTimer DO	0-60000ms step 1ms	0
Trip3Timer PU	0-60000ms step 1ms	15
Trip3Timer DO	0-60000ms step 1ms	0
RecloseLoTimer PU	0-60000ms step 1ms	15
RecloseLoTimer DO	0-60000ms step 1ms	0
ResetLOTimer PU	0-60000ms step 1ms	15
ResetLOTimer DO	0-60000ms step 1ms	0
ITReceiveTimer PU	0-60000ms step 1ms	15
ITReceiveTimer DO	0-60000ms step 1ms	0
Block2ShotTimer PU	0-60000ms step 1ms	15
Block2ShotTimer DO	0-60000ms step 1ms	0
BlockARTimer PU	0-60000ms step 1ms	15
BlockARTimer DO	0-60000ms step 1ms	0

8 OUTPUT RELAY MENU

SETTING	RANGE	DEFAULT
Close Pulse	RL1..RL13	None
Lockout	RL1..RL13	None
A/R Out Of Service	RL1..RL13	None
A/R In Service	RL1..RL13	None
A/R In Progress	RL1..RL13	None
Successful Close	RL1..RL13	None
3PTS	RL1..RL13	None
CB Failed To Close	RL1..RL13	None
Manual Close Fail	RL1..RL13	None
Close Onto Fault	RL1..RL13	None
Check Sync Start	RL1..RL13	None
Three Pole In Op	RL1..RL13	None
Single Pole In Op	RL1..RL13	None
CB A Open	RL1..RL13	None
CB B Open	RL1..RL13	None
CB C Open	RL1..RL13	None
CB A Closed	RL1..RL13	None
CB B Closed	RL1..RL13	None
CB C Closed	RL1..RL13	None
CB A Indeterminate	RL1..RL13	None
CB B Indeterminate	RL1..RL13	None
CB C Indeterminate	RL1..RL13	None
Total CB Count Alarm	RL1..RL13	None
Delta CB Count Alarm	RL1..RL13	None
CB In Service	RL1..RL13	None
CB Not In Ser Alarm	RL1..RL13	None
CB Memory	RL1..RL13	None
Persistent Intertrip	RL1..RL13	None
Manual Close	RL1..RL13	None
Line VT Failure	RL1..RL13	None
Bus VT Failure	RL1..RL13	None
VT Failure	RL1..RL13	None
Reclose Lockout	RL1..RL13	None
Block Reclose Alarm	RL1..RL13	None
Inhibit Close	RL1..RL13	None
Live Line	RL1..RL13	None
Live Bus	RL1..RL13	None
In Sync	RL1..RL13	None
System Split	RL1..RL13	None
3PTS Flag	RL1..RL13	None
PCD Timeout	RL1..RL13	None
A/R Not Allowed	RL1..RL13	None
CMS Change Allowed	RL1..RL13	None
Sync In Prog Flag	RL1..RL13	None
Dead Line Close Flag	RL1..RL13	None

SETTING	RANGE	DEFAULT
Dead Bus Close Flag	RL1..RL13	None
1P Close Flag	RL1..RL13	None
Inhibit SeqIsolation	RL1..RL13	None
A Trip	RL1..RL13	None
B Trip	RL1..RL13	None
C Trip	RL1..RL13	None
Three Trip	RL1..RL13	None
CB Failed to Open	RL1..RL13	None
CB Pole Discrepancy	RL1..RL13	None
Inhibit SeqIsolation OP	RL1..RL13	None
New Data Stored	RL1..RL13	None
ExtGroupSwitched	RL1..RL13	None
Hand Reset Outputs	RL1..RL13	None
Protection Healthy	RL1..RL13	1

9 LED MENU

SETTING	RANGE	DEFAULT
Close Pulse	L1..L16/32	
Lockout	L1..L16/32	
A/R Out Of Service	L1..L16/32	
A/R In Service	L1..L16/32	
A/R In Progress	L1..L16/32	
Successful Close	L1..L16/32	
3PTS	L1..L16/32	
CB Failed To Close	L1..L16/32	
Manual Close Fail	L1..L16/32	
Close Onto Fault	L1..L16/32	
Check Sync Start	L1..L16/32	
Three Pole In Op	L1..L16/32	
Single Pole In Op	L1..L16/32	
CB A Open	L1..L16/32	
CB B Open	L1..L16/32	
CB C Open	L1..L16/32	
CB A Closed	L1..L16/32	
CB B Closed	L1..L16/32	
CB C Closed	L1..L16/32	
CB A Indeterminate	L1..L16/32	
CB B Indeterminate	L1..L16/32	
CB C Indeterminate	L1..L16/32	
Total CB Count Alarm	L1..L16/32	
Delta CB Count Alarm	L1..L16/32	
CB In Service	L1..L16/32	
CB Not In Ser Alarm	L1..L16/32	
CB Memory	L1..L16/32	
Persistent Intertrip	L1..L16/32	
Manual Close	L1..L16/32	

SETTING	RANGE	DEFAULT
Line VT Failure	L1..L16/32	
Bus VT Failure	L1..L16/32	
VT Failure	L1..L16/32	
Reclose Lockout	L1..L16/32	
Block Reclose Alarm	L1..L16/32	
Inhibit Close	L1..L16/32	
Live Line	L1..L16/32	
Live Bus	L1..L16/32	
In Sync	L1..L16/32	
System Split	L1..L16/32	
3PTS Flag	L1..L16/32	
PCD Timeout	L1..L16/32	
A/R Not Allowed	L1..L16/32	
CMS Change Allowed	L1..L16/32	
Sync In Prog Flag	L1..L16/32	
Dead Line Close Flag	L1..L16/32	
Dead Bus Close Flag	L1..L16/32	
1P Close Flag	L1..L16/32	
Inhibit SeqIsolation	L1..L16/32	
A Trip	L1..L16/32	
B Trip	L1..L16/32	
C Trip	L1..L16/32	
Three Trip	L1..L16/32	
CB Failed to Open	L1..L16/32	
CB Pole Discrepancy	L1..L16/32	
Inhibit SeqIsolation OP	L1..L16/32	
New Data Stored	L1..L16/32	
ExtGroupSwitched	L1..L16/32	
Hand Reset Outputs	L1..L16/32	
Protection Healthy	L1..L16/32	

10 DATA STORAGE MENU

SETTING	RANGE	DEFAULT
Waveform Pre-trigger	OFF, 10%-100% step 10%	50%

11 COMMS INTERFACE MENU

SETTING	RANGE	DEFAULT
Relay Address	0 - 254	0
IEC870 on port	COM1/COM2	COM1
COM1 Baud Rate	75, 110, 150, 300, 600, 1200, 2400, 4800, 9600, 19200	19200
COM1 Parity	NONE, EVEN	EVEN
COM1 Line Idle	LIGHT ON, LIGHT OFF	LIGHT OFF
COM1 Data Echo	OFF / ON	OFF
COM2 Baud Rate	75, 110, 150, 300, 600, 1200, 2400, 4800, 9600, 19200	19200

SETTING	RANGE	DEFAULT
COM2 Parity	NONE, EVEN	NONE
COM2 Line Idle	LIGHT ON, LIGHT OFF	LIGHT OFF
COM2 Data Echo	OFF / ON	OFF
COM2 Direction	AUTO-DETECT/FRONT PORT/REAR PORT	AUTO- DETECT

Tau – 7SG26

Auto Re-close

Document Release History

This document is issue 2010/02. The list of revisions up to and including this issue is:
Pre release

2010/02	Document reformat due to rebrand
---------	----------------------------------

Software Revision History

The copyright and other intellectual property rights in this document, and in any model or article produced from it (and including any registered or unregistered design rights) are the property of Siemens Protection Devices Limited. No part of this document shall be reproduced or modified or stored in another form, in any data retrieval system, without the permission of Siemens Protection Devices Limited, nor shall any model or article be reproduced from this document unless Siemens Protection Devices Limited consent.

While the information and guidance given in this document is believed to be correct, no liability shall be accepted for any loss or damage caused by any error or omission, whether such error or omission is the result of negligence or any other cause. Any and all such liability is disclaimed.

Contents

1. INTRODUCTION.....	3
2. CONNECTION SPECIFICATION AND RELAY SETTINGS.....	3
2.1 Recommended cable.....	3
2.2 Connection Method.....	3
2.3 Transmission Method.....	3
2.4 Transmission Rate.....	3
2.5 Line Idle Setting.....	3
2.6 Parity Setting.....	4
2.7 Address Setting.....	4
3. Modems.....	4
3.1 Connecting a modem to the relay(s).....	4
3.2 Setting the Remote Modem.....	4
3.3 Connecting to the remote modem.....	5

Figures

Figure 1 - Basic Communications Configuration.....	6
Figure 2 - Basic Communications Configuration (Remote).....	6
Figure 3 - Star Type Comms. Configuration (Multiplexer).....	7
Figure 4 - Data Concentrator Configuration.....	7
Figure 5 - Optical Ring Configuration.....	8
Figure 6 - Configuration using the Sigma 3 – Dual Port RS232 Device.....	8

1. INTRODUCTION

This document describes how to connect the IEC870-5-103 compliant communications interface to a control system or interrogating computer.

To access the interface the user will need appropriate software within the control system or on the interrogating computer (e.g. Reydisp Evolution).

2. CONNECTION SPECIFICATION AND RELAY SETTINGS

This section defines the connection medium as defined by IEC 870-5-103. Appendix A shows some typical communication connections.

2.1 Recommended cable

Selection of fibre optic cable is critical. Fibres should be terminated with 9mm SMA connectors.

The recommended type is 200µm Plastic Coated Silica (PCS). This will allow a maximum transmission distance of 100m between Argus relays. It will also be the maximum distance between the ring network and the fibre to RS232 converter.

Alternatively, 1mm polymer cable may be used to reduce cost. This will provide transmission distances of upto 43m between relays. Note that the distance from the transmit output of the RS232 / fibre optic converter to the receive input of the first Argus relay should be not more than 6m. The distance from the transmit output of the last Argus to the receive input of the converter may be upto 43m.

No other types of cable are suitable for use with Argus relays.

2.2 Connection Method

Argus relays can be connected in either a Star or Ring fibre-optic communications network. If star connected then a passive fibre optic hub must be used. A lower cost option is the ring configuration where the Argus relays are 'daisy chained.' That is, the transmit output of the first relay is connected to the receive input of the second relay, and so on until the ring is complete.

Communication to the ring may be achieved either locally in the substation or remotely via the Public Switched Telephone Network (PSTN). If remote communication is desired, then additional modem equipment must be installed.

Reydisp Evolution is a PC based software package providing capability for both local and remote communication. It provides features such as download of disturbance and event records, upload of relay settings, real-time monitoring of measurands and remote control of plant.

2.3 Transmission Method

The transmission method is Half Duplex serial asynchronous transmission. In IEC 870-5-103 the line idle state is defined as Light ON. This can alternatively be selected as Light OFF in the Communications Interface menu of the relay if required for use with alternate hardware (See Section 2.5).

2.4 Transmission Rate

Rates of 19200, 9600, 4800, 2400, 1200, 600, 300, 150, 110 and 75 bits per second (BPS) are provided. Only 19200 and 9600 BPS are defined in IEC 870-5-103, the additional rates are provided for local or modem communications.

2.5 Line Idle Setting

The line idle setting can be set to be either ON or OFF and the setting must be compatible with the device connected to the relay. The IEC 870-5-103 standard defines a line idle state of Light On. If the device the relay is connected to does not have a compatible fibre-optic port then a suitable electrical to optical converter is required to connect it to a standard RS232C electrical interface. A suitable converter is the Sigma 4 type, which is available from Reyrolle Protection.

Alternative converters are the Reyrolle Dual RS232 Port (Sigma 3) or Reyrolle Passive Fibre-Optic Hub (Sigma 1).

1. The Sigma 3 Dual RS232 port provides a fibre-optic interface to a relay and two RS232 ports. The RS232 system port is typically connected to a control system while the second port is a local

port. When the local port is in use the system port is automatically disabled. The Sigma 3 has an internal link to switch between line idle Light ON or Light OFF. The default configuration is Light OFF.

2. The Sigma 1 Passive Fibre-Optic Hub provides fibre-optic interfaces for up to 29 relays. It has a fibre-optic port to the control system and multiple relay connections. Each of the 30 fibre-optic ports can be configured for either Light ON or Light OFF operation. Default for all is OFF.

2.6 Parity Setting

IEC 870-5-103 defines the method of transmission as using EVEN Parity. However, in some instances an alternative may be required. This option allows the parity to be set to NONE.

2.7 Address Setting

The address of the relay must be set to a value between 1 and 254 inclusive before any communication can take place. Setting the address to zero disables communications to the relay, although if it is in an optical ring it will still obey the Data Echo setting. All relays in an optical ring must have a unique address. Address 255 is reserved as a global broadcast address.

3. Modems

The communications interface has been designed to allow data transfer via modems. However, IEC 870-5-103 defines the data transfer protocol as an 11 bit format of 1 start, 1 stop, 8 data and 1 parity bit which is a mode most commercial modems do not support. High performance modems, for example, Sonix (now 3Com), Volante and MultiTech Systems MT series will support this mode but are expensive. For this reason a parity setting (see section 2.6) to allow use of easily available and relatively inexpensive commercial modems has been provided. The downside to using no parity is that the data security will be reduced slightly and the system will not be compatible with true IEC870 control systems.

3.1 Connecting a modem to the relay(s)

The RS232C standard defines devices as being either Data Terminal Equipment (DTE) e.g. computers, or Data Communications Equipment (DCE) e.g. modems. To connect the modem to a relay requires a fibre-optic to electrical connector and a Null Terminal connector which switches various control lines. The fibre-optic converter is then connected to the relay in the following manner :

Fibre-Optic Converter	Relay Connections
Tx	Rx
Rx	Tx

3.2 Setting the Remote Modem

Most modems support the basic Hayes 'AT' command format, though, different manufacturers can use different commands for the same functions. In addition, some modems use DIP switches to set parameters while others are entirely software configured. Before applying the following settings it is necessary to return the modem to its factory default settings to ensure that it is in a known state.

The remote modem must be configured as Auto Answer, which will allow it to initiate communications with the relays. Auto answer usually requires 2 parameters to be set. One switches auto answer on and the other, the number of rings after which it will answer. The Data Terminal Ready (DTR) settings should be forced on which tells the modem that the device connected to it is ready to receive data. The parameters of the modem's RS232C port need to be set to match those set on the relay i.e. baud rate and parity to be the same as the settings on the relay, and number of data bits to be 8 and stop bits 1.

Since the modem needs to be transparent, simply passing on the data sent from the controller to the device and vice versa, the error correction and buffering must be turned off. In addition if possible force the Data Carrier Detect (DCD) setting to ON as this control line will be used by the fibre-optic converter.

Finally these settings should be stored in the modem's memory for power on defaults.

3.3 Connecting to the remote modem

Once the remote modem is configured correctly it should be possible to dial into it using the standard configuration from a local PC. As the settings on the remote modem are fixed, the local modem should negotiate with it on connecting and choose suitable matching settings. If it does not, set the local modem to mimic the settings of the remote modem described above.

APPENDIX A - COMMUNICATION CONNECTIONS

Figures 1 to 6 illustrate a number of methods of connecting relays in communications networks.

(Note that in the case of the optical ring configuration (figure 5), the Data Echo feature must be switched ON in the communications settings menu of the relay. In all other cases this setting should be set to OFF).

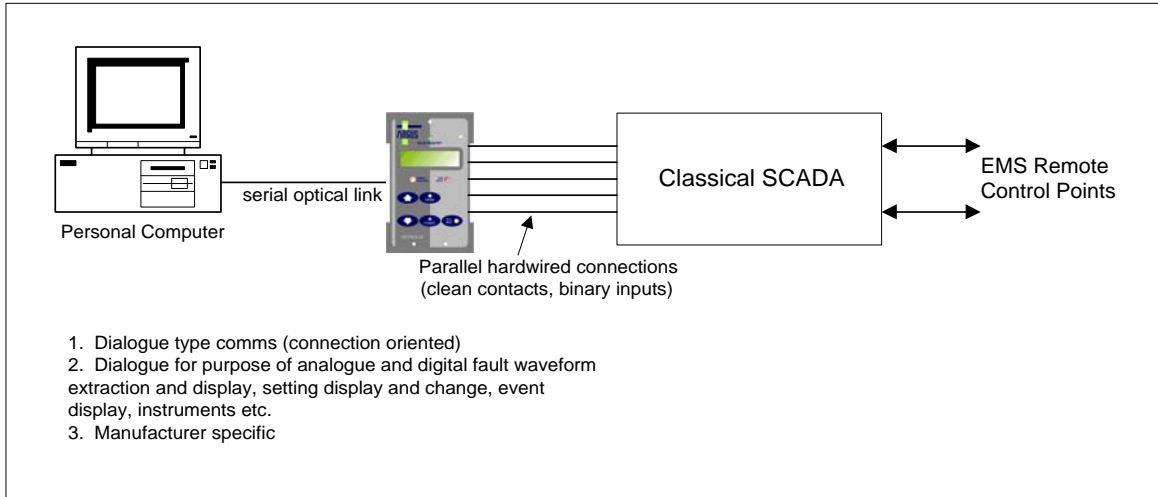


Figure 1 - Basic Communications Configuration

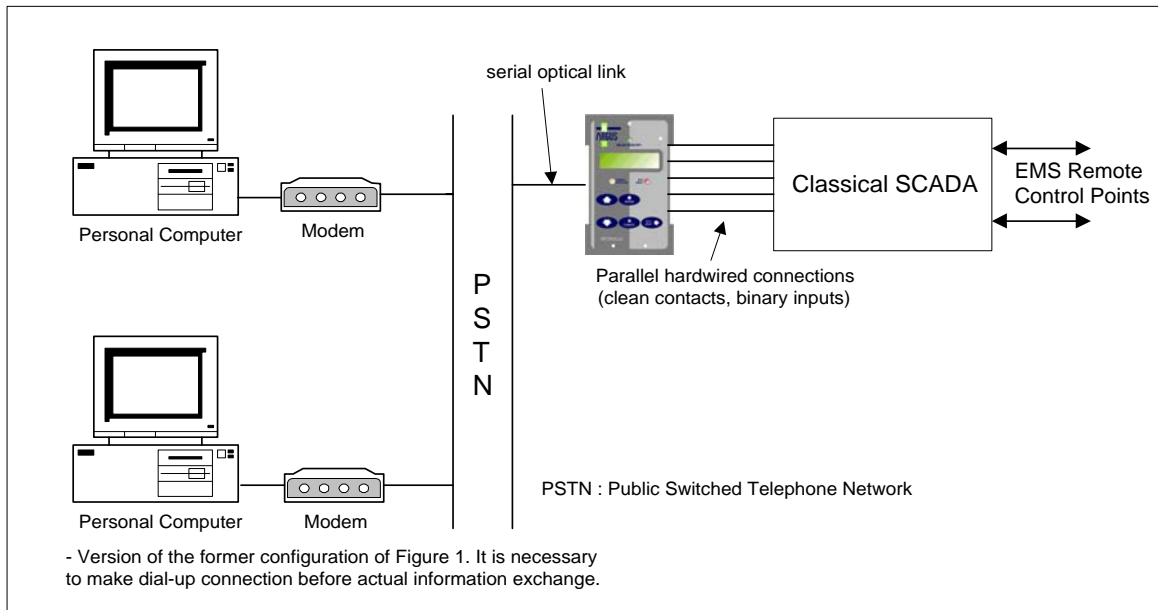


Figure 2 - Basic Communications Configuration (Remote)

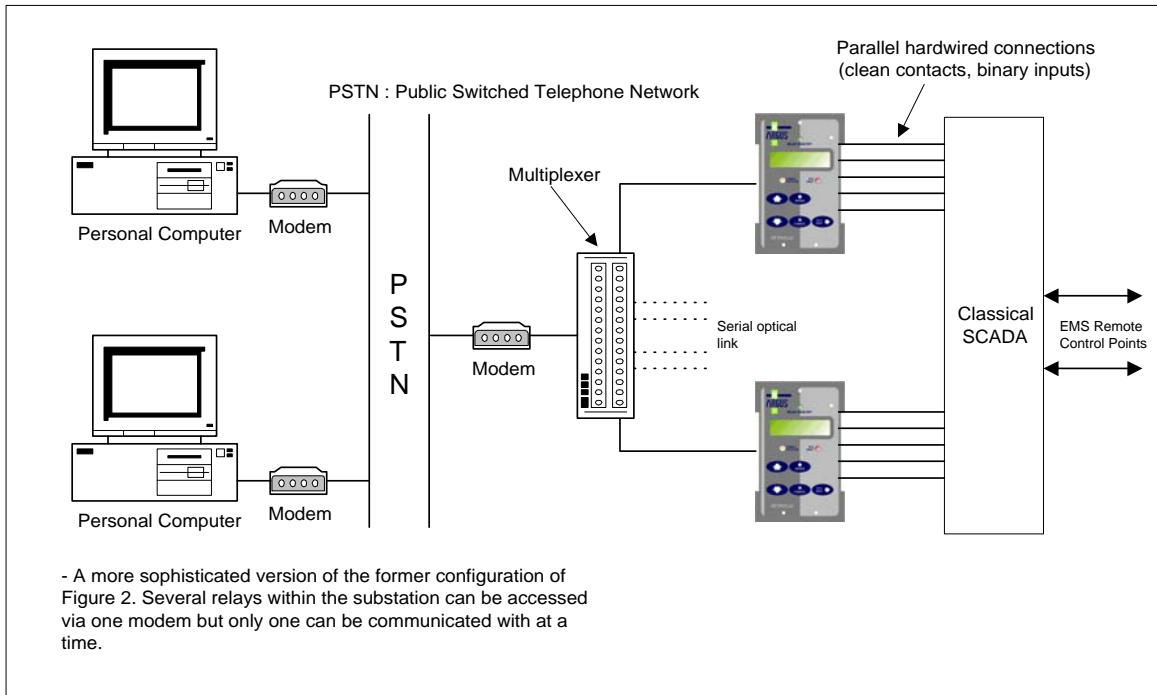


Figure 3 - Star Type Comms. Configuration (Multiplexer)

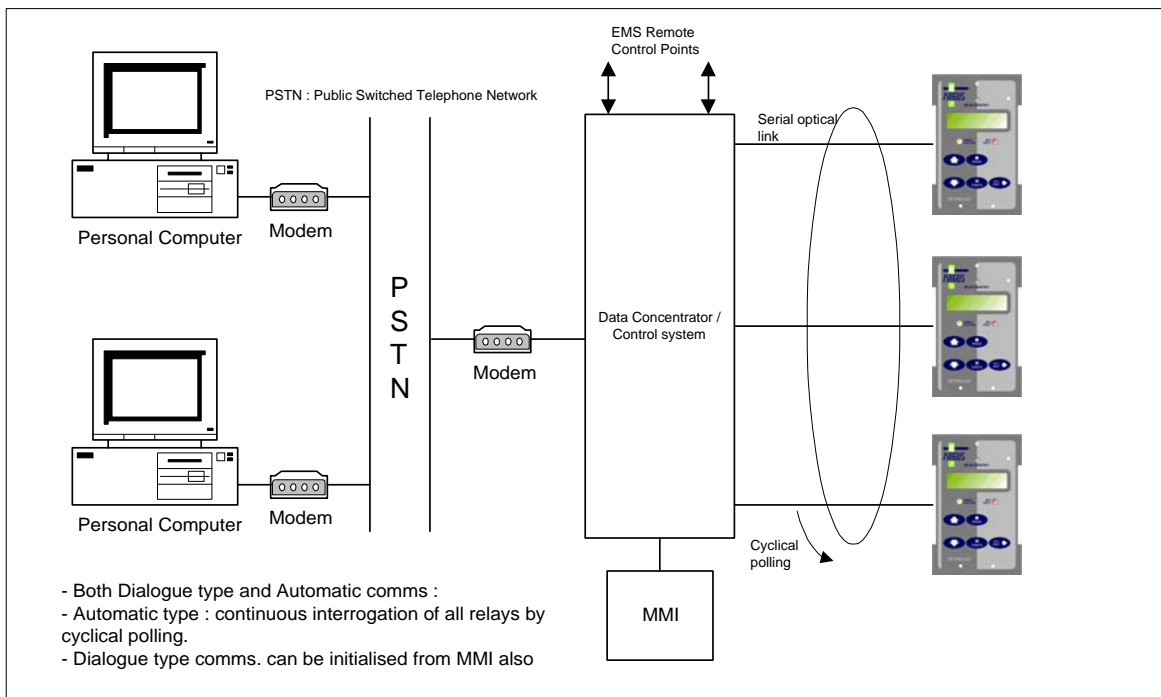


Figure 4 - Data Concentrator Configuration

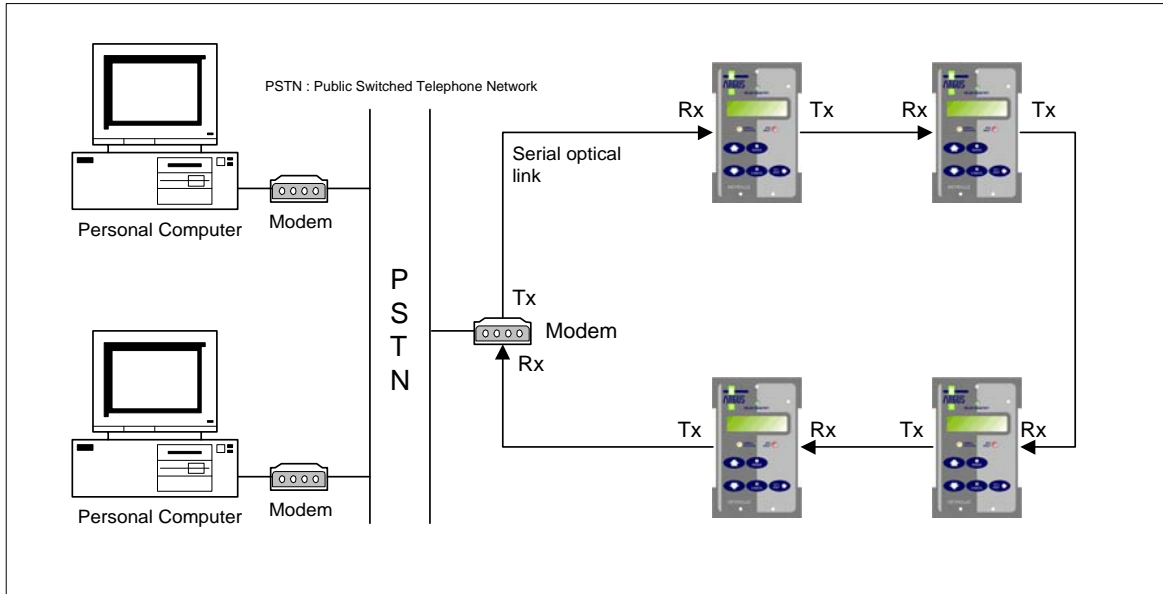


Figure 5 - Optical Ring Configuration

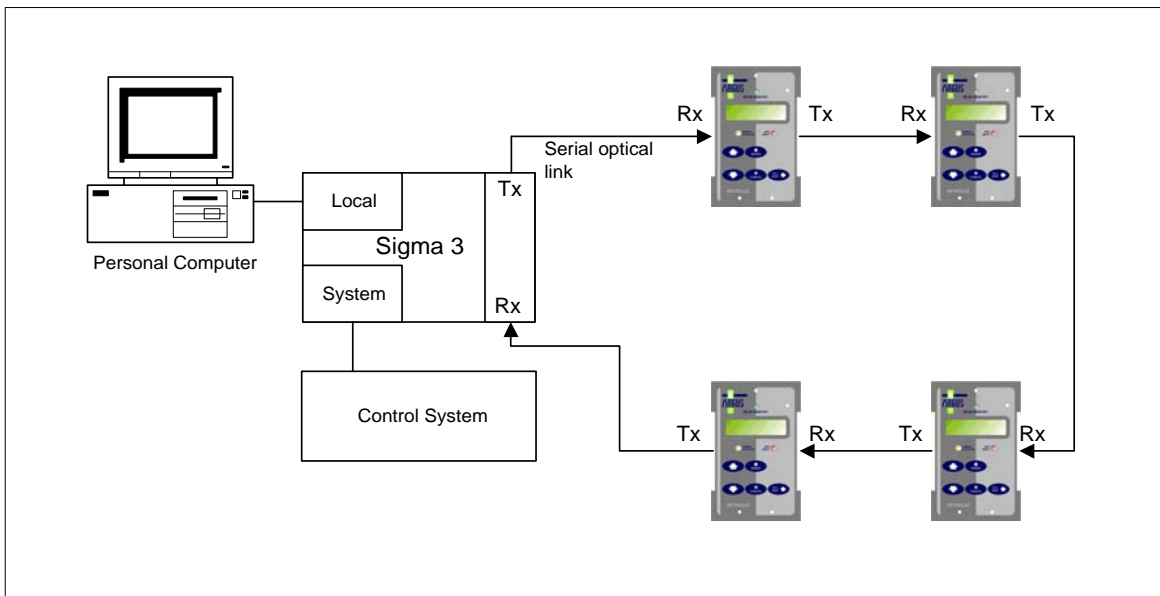


Figure 6 - Configuration using the Sigma 3 – Dual Port RS232 Device

7SG26 Tau

Auto Re-close

Document Release History

This document is issue 2010/02. The list of revisions up to and including this issue is:
Pre release

2010/02	Document reformat due to rebrand
---------	----------------------------------

Software Revision History

The copyright and other intellectual property rights in this document, and in any model or article produced from it (and including any registered or unregistered design rights) are the property of Siemens Protection Devices Limited. No part of this document shall be reproduced or modified or stored in another form, in any data retrieval system, without the permission of Siemens Protection Devices Limited, nor shall any model or article be reproduced from this document unless Siemens Protection Devices Limited consent.

While the information and guidance given in this document is believed to be correct, no liability shall be accepted for any loss or damage caused by any error or omission, whether such error or omission is the result of negligence or any other cause. Any and all such liability is disclaimed.

Contents

1. INTRODUCTION.....	3
2. GENERAL INFORMATION	3
2.1 General	3
2.2 Autoreclose.....	3
2.3 Synchronising Modes.....	12
2.4 Manual Closing	12
2.5 Typical Voltage Settings	12
2.6 Synchronising Override Logic	13
2.7 Slip and Phase Angle Relationship.....	13
2.8 Check Synchronising Settings	13
2.9 System Synchronising Settings	14
2.10 Example Setting Calculations For Slip Timer.....	14
2.11 Diagrams	15

1. INTRODUCTION

The relays provide a full closing system: Autoreclose, Manual Closing and Check Synchronisation. The input/output is fully programmable to matrixes from the status inputs to the output contacts or/and LEDs.

The combined check and system synchronising function can automatically select check or system synchronise from measurements of the relative phase angles between the line and bus voltages. The relay will prevent closure of the circuit breaker if the phase angle, slip frequency or the voltage magnitude of the incoming and running voltages fall outside prescribed limits.

If the parameters are within the limits the relay will issue an output which can be used to close the circuit breaker directly. Both the check and system synchronise functions have independent settings and blocking features. The relay also includes split system detection, which can be used for blocking purposes within the autoreclose scheme.

The autoreclose function requires the correct application, setting and commissioning to verify operation. Because of the complexity of autoreclose schemes and the possibility of setting the relay incorrectly the user should be familiar with all aspects of the relay before energising any equipment.

2. GENERAL INFORMATION

2.1 General

The relay can directly replace older Autoreclose relays. The relay contains the equivalent UK specification Autoreclose logic ('J' unit, or 'C' unit), Indication ('F' unit) and In/Out Switching ('H' unit) all within the relay.

On initial switch on of AC volts to the relay, the Check Sync function will wait for 2 seconds before any output can be given. This is to allow time for the frequency and phase measuring elements to settle and establish healthy outputs and also allow for any transient conditions on voltage switch on.

It also allows busbar connection of multiple incoming volts to use a common check sync relay.

2.2 Autoreclose

The Autoreclose function provides the flexibility to be applied to a number of different Autoreclose schemes. This is achieved by a number of settings which provide choices as to connections and time delays. The relay can be easily connected as a basic scheme with minimal input and output or more of the functions can be set to provide extra alarms and control.

Settings:

In/Out Switching can be connected directly to the relay's status inputs, additional control auxiliary relays are not required because the relay has separately grounded inputs.

The reclosure options are circuit breaker specific.

Reclosure Options	Option Range
Dead Bar Close	Enabled/Disabled
Dead Line Close	Enabled/Disabled
Check Sync Close	Enabled/Disabled

Deadtime:

There are four deadtime settings:

First Single Pole Deadtime, Second Single Pole Deadtime, First Three Pole Deadtime, Second Three Pole Deadtime.

The Deadtime is the time taken from the circuit breaker tripping and the trip reset to a reclose signal being issued.

The deadtime can be started in three ways:

1. When the Protection Trip is received. Set Start Deadtime setting to Trip Make.
2. When the Protection Trip is received AND the CB has opened AND the line has gone dead. Set Start Deadtime setting to Trip & CB Open.
3. When the Protection Trip is received AND the CB has opened AND the line has gone dead AND the Protection Trip resets. Set Start Deadtime setting to Trip Reset.

The different methods are provided to take account of different utilities preferences.

Some utilities use a trip reset interlock to facilitate isolation. This may hold the trip active until any post-fault isolation has completed. Should use Trip Reset setting.

A method is provided to prevent three pole autoreclosing if the fault involves all three phases but to proceed if the fault involves one or two phases.

To allow three pole autoreclosing for faults involving all phases set the 3P Deadtime Initiate setting to 1P\2P\3P.

To prevent three pole autoreclosing for faults involving all three phases set the 3P Deadtime Initiate setting to 1P\2P.

Sequence Fail timer:

To prevent the autoreclose sequence being primed indefinitely a Sequence Fail time delay should be set greater than any trip reset time delays. If the Sequence Fail timer expires because either the trip fails to reset, or the CB does not open, or the line does not go dead then the autoreclose sequence will lockout. If the timer is not required then it can be set to OFF.

Permissive Close Delay:

The Permissive Close Delay works in conjunction with the Block Reclose and Inhibit Close inputs. Block Reclose stops the autoreclose sequence, Inhibit Close stops the autoreclose sequence and the Manual Close sequence. If the Permissive Close Delay expires the relay will lockout. CB conditions such as Low Pressure should be connected to the Inhibit Close input. At the end of the Deadtime if there is a Block Reclose or Inhibit Close present the relay will wait for as long as the Permissive Close Delay. If the Block Reclose or Inhibit Close input resets before the end of the Permissive Close Delay then reclosure will be permitted.

Sync Close Delay:

This timer limits how long the relay will wait for the In Sync signal. If Check Sync Close is allowed but the Sync Check function is returning Not In Sync the relay will wait. If the Sync Close Delay expires the relay will lockout. This setting needs to be set to accommodate the closing operation programmed.

For a reclosure scheme with Dead Line Charge at the remote end and Check Sync Close at this end it is likely that a Sync Close Delay of 5sec would suffice. This is dependent upon whether the system will island. If it is not possible for the system to split and Check Sync is being used (i.e. there will be a constant phase angle, say 6°), then the setting of the Sync Close Delay should be set to 5sec.

For a reclosure scheme which may split and the reclosure is programmed for Check or System Sync at tighter angles or Close On Zero after system split, it may take a considerable time for the two systems to come into synchronism. This will be dependent upon the slip frequency. The Sync Close Delay needs to be set longer than the possible delay the two systems take to get back in Sync, otherwise the relay will lockout before a reclosure can be attempted. For a slip frequency of 50mHz it takes 20 seconds for a complete rotation. If the deadtime is set to 5sec it would be necessary to set the Sync Close Delay to approximately 20 seconds. It is recommended to set the Sync Close Delay to the minimum slip frequency rotation time. For worst case, where the deadtime was set longer than the slip frequency rotation time the close may be required just at the point where the vector has left the setting range, in which case a full rotation would be required to get back into the limits. Allow enough time or it may lockout while trying to come into synch.

Persistent Intertrip:

The reclosure can be started by an Intertrip Receive. Intertrips are generally connected to some form of inter-tripping communication channel. To prevent problems with these channels if the intertrip is present for longer than the Persistent Intertrip time the reclosure will not be initiated and the relay will lockout. The deadtime is started when the Intertrip resets provided the CB has opened, there are no other trips or starter active, the line has gone dead, and the Persistent Intertrip timer has not timed out. Only a one shot intertrip initiated scheme is allowed, any intertrips occurring in the close pulse or reclaim cause lockout, even if set to more than one shot.

The Persistent Intertrip time is only associated with the Intertrip Receive status input.

If multi-shot reclosing is required by intertripping then the Intertrip Receive should be connected to the External A/R Start (3 Trip) input rather than the Intertrip Receive input. The Persistent Intertrip setting in the relay would not be used

Overall Sequence Time:

The Overall Sequence time is provided to govern the maximum time which the complete autoreclose sequence can take. It would generally be set greater than all the constituent times. If the Overall Sequence Timer expires the relay will go to Lockout. This timer is provided as a back-up to prevent the autoreclose being primed indefinitely and giving a close pulse when not expected. However the correct setting of the Sequence Fail timer and Permissive Close Delay mean the Overall Sequence timer is not required. It has been left in the relay to satisfy existing customers who require it.

CB Close Pulse:

The CB Close Pulse should be set to a value to ensure that the CB is closed, typically 2sec. To take account of slow spring rewind times the close pulse setting range has deliberately been extended up to 20 seconds.

Reclaim Time:

The reclaim time would be set to a value which represents a correct reconnection. If the CB remains closed for the Reclaim time following an autoreclose, the relay will reset and be ready for further operations. At the end of the reclaim time a fleeting contact 'Successful A/R' will be issued, for 2 seconds. A trip within the reclaim time would initiate another reclose if the next shot is allowed, otherwise the autoreclose sequence will be locked out.

Minimum Lockout Timer:

Once the relay enters the lockout state this may be latched until reset or reset automatically provided there is no mechanism to keep the relay in lockout. However a minimum lockout time can be set. Recommended setting 2 seconds.

Reset LO By Timer:

If Reset LO By Timer is set to Yes the relay will automatically reset from lockout provided there is no mechanism to cause lockout. This will be set depending upon how lockout is dealt with by individual utilities. Some utilities investigate every lockout occurrence (in which case this setting should be set to Disabled) whilst others accept lockout as normal operation.

CB Fail To Open:

A combination of a Protection Trip and the CB auxiliary contacts indicating CB Closed after a settable time delay results in the alarm CB Fail To Open. This would be useful in autoreclose applications where conventional CB Fail protection was not fitted. The CB Fail To Open output would be independently wired to Lockout and stop the autoreclose sequence. Alternatively a time delay setting could be set which indicates CB Slow, and give an alarm if the CB is still closed after this setting, typically 100ms.

CB Indeterminate:

The connection of the CB auxiliary contacts can include one contact indicating Open and another contact indicating Closed. If the CB Auxiliary contacts were to indicate either both open or both closed for greater than the CB Indeterminate time, (typically set to 80ms) then a CB Indeterminate Alarm is issued. Separate phase outputs are provided. These could all be mapped to the same output contact to provide a common alarm.

CB Memory Time:

A setting is provided which indicates when the CB has been In Service. This is defined as being when the CB is Closed and the Line is Live and has a delayed drop-off, the CB Memory time. It is expected that this would be set to 2 seconds.

Set Type:

Where two autoreclose relays are applied for one CB the relay which is designated Master can be set to override the Slave. This requires that the Master's output A/R In Progress is wired to the Master Slave input of the Slave. When the Master Slave input of the Slave is active it will cancel any autoreclose sequence, reset and wait in its ready state until the A/R In Progress of the Master is released.

Application to Transmission Feeder:

Where applied to a feeder with A/R at each end, different deadtimes would be applied, example: 5sec and Dead Line Charge at local end (small generation); and 10sec and Check Sync and Dead Line Charge at remote end (large generation). Choosing to Dead Line Charge from the small source would ensure that closing onto a fault causes the least shock to the system. The Transmission line is reclosed even if the remote or local CB cannot close. Closure is only permitted if the line has gone dead which indicates that both local and remote CBs have opened.

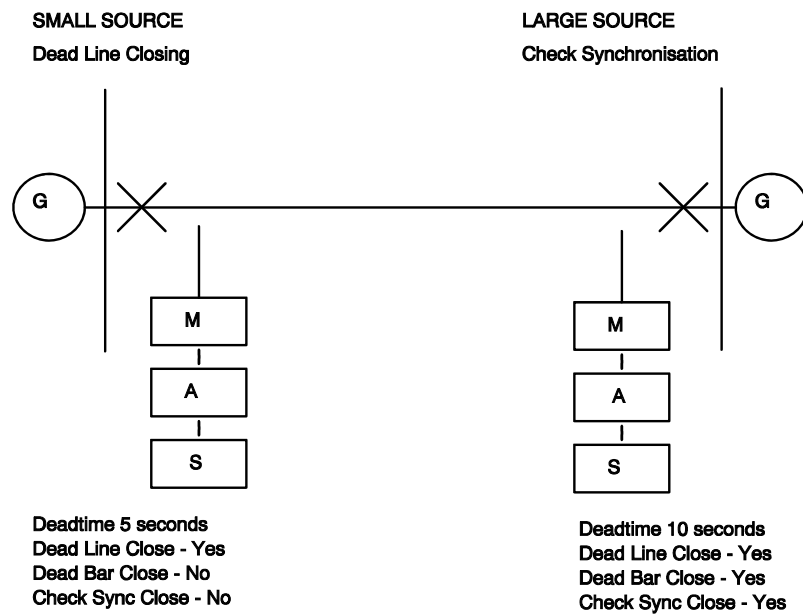


Figure 1 Typical Feeder Diagram

Application to T'd Feeder or Mesh Corner:

Two autoreclose relays would need to be specified for a double CB situation such as Teed feeders or Mesh Corner. One autoreclose relay per CB. Each relay could be set to the same deadtime i.e. 5 seconds, and priority of closing would be X1 then X2. X1's A/R In Progress output would be connected to X2's Block Reclose input which would reset the deadtime of X2.

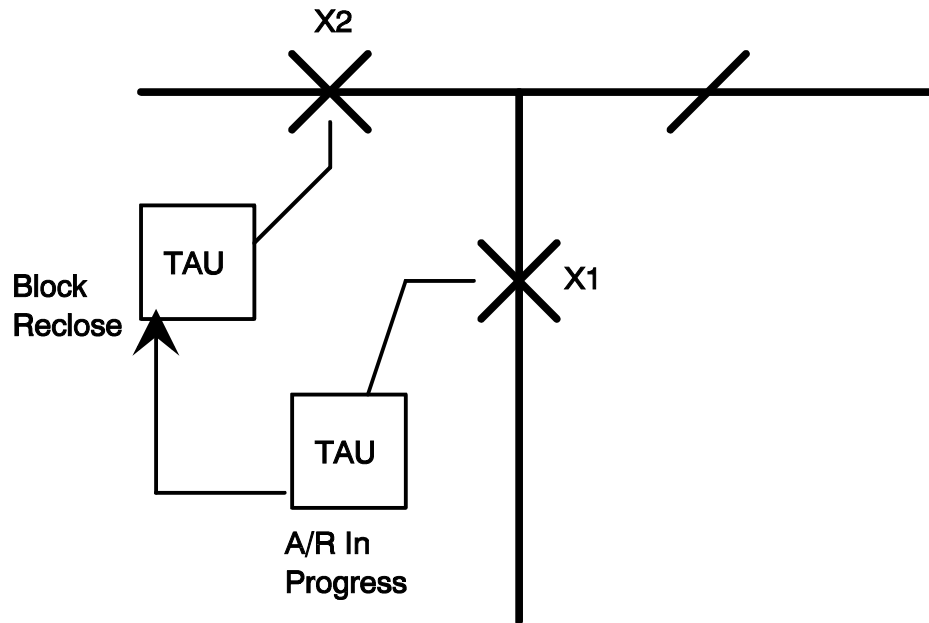


Figure 2 Mesh or T'd Feeder Connection Diagram

CB Status:

The status of the CB can be determined by a combination of connections. Either a full connection of CB Phase A Open, CB Phase B Open, CB Phase C Open and CB Phase A Closed, CB Phase B Closed, CB Phase C Closed. Or a simpler connection of only CB And Isolator Open, and CB And Isolator Closed, in this case the matrix has to account for phase A,B,C connected to the same input.

The CB Status module takes account of separate phase CB's (A, B and C). Due to differing applications of autoreclose schemes and availability or non-availability of CB auxiliary contacts this module has been designed to return the state of each CB from a number of possible arrangements of contacts. To allow this flexibility there are a number of settings provided. The relay can determine CB open or closed from a combination of 'a' or 'b' or 'a' and 'b' contacts.

This means that the status input is processed to return the definitive CB condition.

Auxiliary type contacts 'a' - CLOSING WHEN CB CLOSING.

Auxiliary type contacts 'b' - CLOSING WHEN CB OPENING.

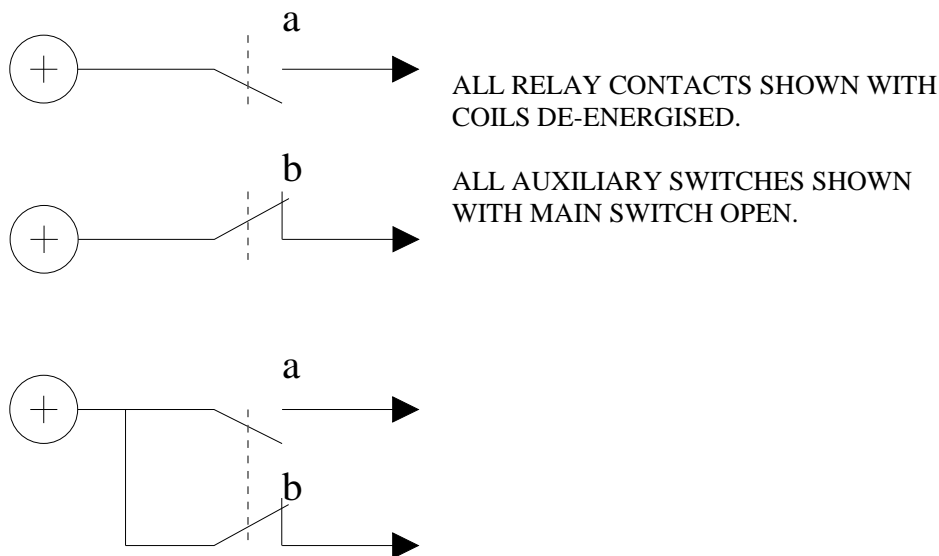


Fig 3. Primary Plant Auxiliary Switches

The relay provides a CB Auxiliary Switch setting which allows either 'a' type contacts only, or 'b' type contacts only, or both 'a' and 'b' contacts.

Using 'a' type contacts only: input is Auxiliary One Status Input

Open when CB open therefore input is low when CB is open.

Closed when CB closed therefore input is high when CB closed.

Using 'b' type contacts only: input is Auxiliary One Status Input

Open when CB closed therefore input is low when CB is closed.

Closed when CB open therefore input is high when CB open.

Using both 'a' and 'b' type contacts:

'a' contacts: input is Auxiliary One Status Input

Open when CB open therefore input is low when CB is open.

Closed when CB closed therefore input is high when CB closed.

'b' contacts: input is Auxiliary Two Status Input

Open when CB closed therefore input is low when CB is closed.

Closed when CB open therefore input is high when CB open.

When both 'a' and 'b' type contacts are used there are now 4 possible positions:

Auxiliary One Status Input	Auxiliary Two Status Input	CB Position
FALSE	FALSE	Don't Believe It (DBI)
FALSE	TRUE	CB OPEN
TRUE	FALSE	CB CLOSED
TRUE	TRUE	INDETERMINATE

Table 1. CB Position using a + b Primary Plant Auxiliary Switches

When 'a' and 'b' contacts are used CB Open and CB Closed are determined from the following logic:

$CB_{Open} = \text{NOT Aux One AND Aux Two}$

$CB_{Closed} = \text{Aux One AND NOT Aux Two}$

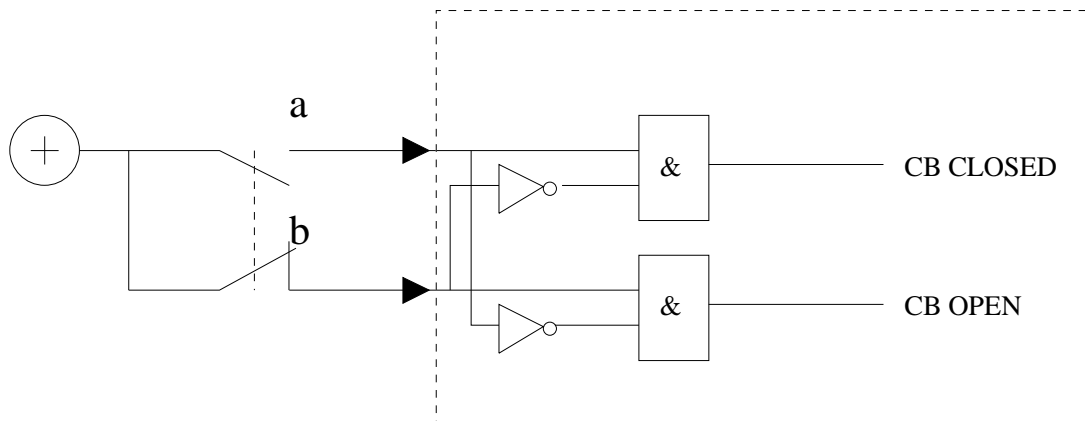


Fig 4. Processing of CB Closed and CB Open when using a + b Primary Plant Auxiliary Switches

It is intended that for application to Transmission systems separate phase CB Auxiliary contacts will be wired to the status inputs. This is essential for systems using Single Pole Reclose. However for systems which only apply Three Pole Reclose it is possible to gang the switches externally and wire to one status input only. To achieve this the following Trip Matrix settings need to be applied.

Status Input	S1	S2	S3	..	Sn
CB A Aux One	1	0	0	0	0
CB B Aux One	0	1	0	0	0
CB C Aux One	0	0	1	0	0

Table 2. Using separate phase CB Auxiliary contacts with Single Pole reclose, 3 inputs to the relay

Status Input	S1	S2	S3	..	Sn
CB A Aux One	1	0	0	0	0
CB B Aux One	1	0	0	0	0
CB C Aux One	1	0	0	0	0

Table 3. Using externally ganged separate phase CB Auxiliary contacts with Three Pole reclose, 1 input to the relay

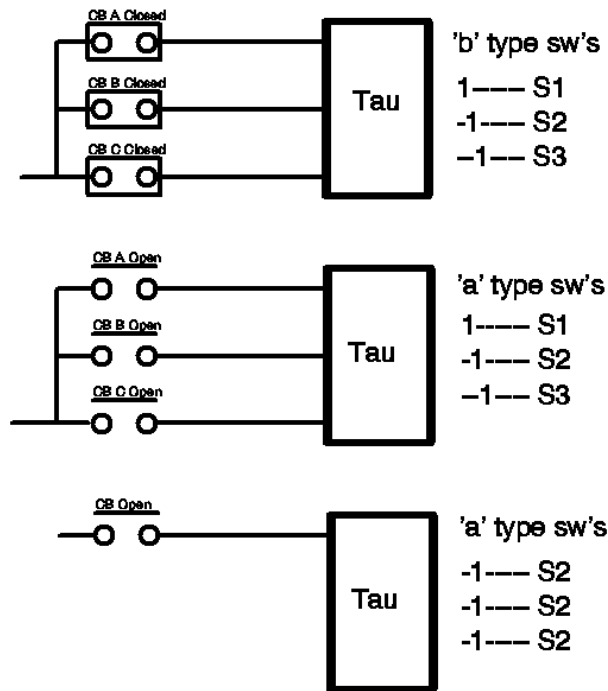


Figure 5 Possible CB Auxiliary Contact Connections

Output Alarms:

Various outputs are given during the autoreclose sequence, these can be used for alarm purposes or to Lockout the sequence; or could be further divided into System Alarm/CB Alarm indication, or not used. If they are not used the output setting would be left blank.

Close Onto fault Inhibit: A trip or starter has picked-up within the close pulse. A trip within the close pulse is recognised and a Close Onto Fault output issued. This can be used to prevent autoreclosing, i.e. independently wired to Lockout.

CB Counter: CB Maintenance is required, the number of CB Close counts since last maintenance has exceeded its alarm setting.

A/R Not Allowed: A trip has occurred but the CB is not in service. This indicates an alarm condition – autoreclose is not allowed for a normally open or de-energised line.

CB Fail To Open: A combination of a Protection Trip and the CB auxiliary contacts indicating CB Closed after a settable time delay results in the alarm CB Fail To Open. This would be useful in autoreclose applications where conventional CB Fail protection was not fitted. The CB Fail To Open output would be independently wired to Lockout and stop the autoreclose sequence. Alternatively a time delay setting could be set which indicates CB Slow, and give an alarm if the CB is still closed after this setting.

Pole Discrepancy: A mismatch of CB positions across the three phases might indicate CB problems. Generally if one or two of the phases is indicating closed whilst the others are open, and vice versa, for longer than a time delay setting then an alarm will be issued. This alarm can be used to Lockout the autoreclose sequence. This is applied as a separate protection to single pole reclose schemes, and is sometimes quoted as requiring a separate supply to the main protection. Three Pole tripping schemes also use Pole Discrepancy. The function is easily integrated into the Autoreclose relay and provides the same functionality. A requirement for Pole Discrepancy would be to connect all phases of CB Open or/and CB Closed to the relay.

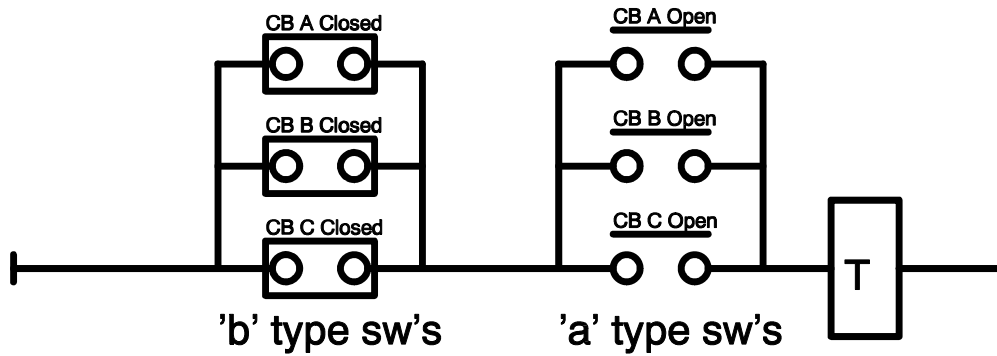


Figure 6 Standard Connection of Pole Discrepancy Protection

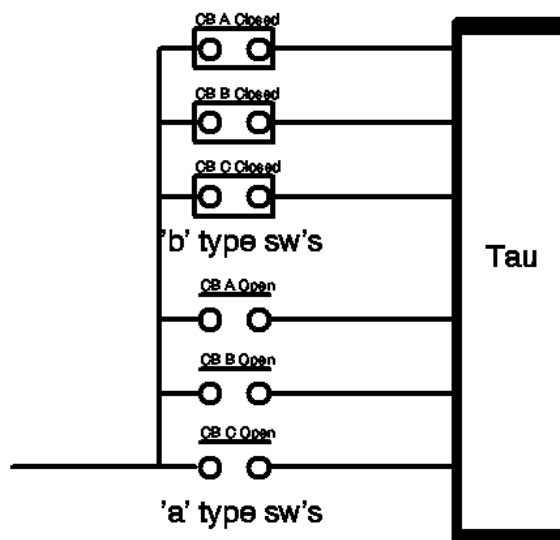


Figure 7 Tau Connection of Pole Discrepancy

CB Fail To Close: At the end of the close pulse if the CB is open then the CB Fail To Close output is issued. Lockout will be established.

VT Alarm: An alarm indicates that there is a VT Failure. The Bus VT Fail alarm is generated when the relay detects a live line and CB Closed and dead bus for greater than 2 seconds. The Line VT alarm is generated when the relay detects a live bar and CB Closed and dead line for greater than 2 seconds. The relay cannot distinguish between a VT Fail on the system and the VT Fail in the relay, the VT Fail indication may mean either.

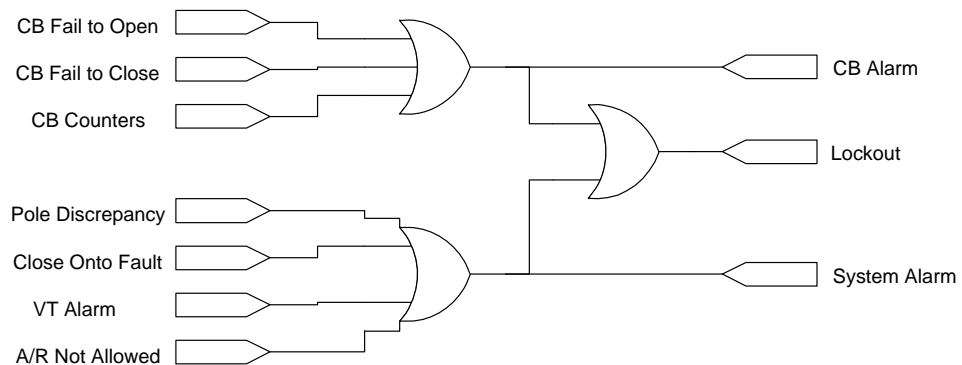


Figure 8 Possible A/R Alarms

2.3 Synchronising Modes

The relay operates in Check Sync (CS) mode until a system split occurs. After a system split the relay can be programmed to perform a number of actions. These can be Lockout, or set to close via Check Sync, System Sync (SS) or Close On Zero (COZ). The close can be automatic or via Manual Closing.

The check sync (CS) and system sync (SS) functions each have independent settings. If the requirement is for the relay to be set up as a check synchronising relay, then there are a number of ways of implementing this using the settings.

1. Set CS Phase, CS Slip Frequency and CS Timer to required settings.

Set System Split Detector to OFF.

Set A/R Split Action to Lockout. Or A/R Split Action to System Sync and set the System Sync setting to be identical to the Check Sync settings.

Setting the split detector to off will ensure that the relay never goes into system synchronising mode even if a split in the power system occurs. The relay will continue to attempt a check sync close if the power system conditions fall within the relay setting parameters.

2. Set System Split Detector to a suitable angle e.g. 170°

Set A/R Split Action to LOCKOUT

This will ensure that if the power system splits the relay will not go into system synchronising mode but revert to lockout mode.

3. Set A/R Split Action to LOCKOUT

Set MC Split Action to System Sync

Lockout will be exited by a Manual Close at tighter angles.

Note : the relay settings groups could be used to switch between the different modes of the relay. The relay could be set up to be a check synchroniser in settings group 1 and a check and system synchronising relay in settings group 2. The group selection and thus the actual relay mode of operation could then be changed remotely using a status input signal or a communications command from a control system.

2.4 Manual Closing

Manual Closing can occur at any point. The decision to close the CB lies with the operator. Manual Closing overrides a Locked out autoreclose sequence. The close decision is dependent upon the active CB condition: Dead Line, Dead Bus or Check Synchronisation. The relay automatically closes dependent upon these conditions. The relay will not wait indefinitely for the system to come into sync. A Synch Close Delay is provided which governs the available time the relay will wait for an In Synch signal to appear. If the In Synch signal does not appear before the end of the Synch Close Delay timer the relay will Lockout.

A separate Manual Sync Override is provided.

2.5 Typical Voltage Settings

The relay can be connected to either single phase or 3 phase V.T's. It is usual, particularly in transmission networks, to use the output of the B (centre) phase V.T's for the reference line and bus voltages and thus the nominal voltage is 63.5 Vrms.

Note : the input measuring range actually measures upto 200 Vrms.

The relay undervoltage blocking elements, if enabled, can be used to block the close operation if either the incoming (line) or running (bus) volts fall below a certain percentage of rated voltage. Typically, the undervoltage elements are set somewhere between 80% and 90% of rating.

Note : when using the undervoltage elements care should be taken to ensure that the reset of the element occurs at below the expected minimum operating voltage of the system. The undervoltage elements reset at <104% of the operate level. If the system is expected to run at less than the rated voltage the undervoltage element reset level must be set to operate at a value below this plus some margin for error.

e.g. for a phase to neutral connection nominally at 63.5 Vrms but which can run as low as 59 Vrms,

the undervoltage setting should be set no higher than $59\text{ V} - 1\text{ V}$ (error margin) = $58\text{ V} \times 96\% = 55.68\text{ V}$ (the actual setting would have to be 55.5V). This is equivalent to approximately 87% of rated voltage. If the setting is set higher than this then the element may never reset and will continuously block.

A differential voltage detector is incorporated and this, if enabled, blocks the synchronising function if the difference between the measured voltages is greater than the setting. This is used to prevent closing of the circuit breaker with a large voltage differential between the incoming (line) and running (bus) voltages, which could overstress the electrical systems. Typically, the differential voltage elements are set below 10% of rated voltage.

The relay Dead and Live voltage monitors are used along with corresponding internal logic to bypass the synchronising operation of the relay. Typically, anywhere above 80% to 90% of rating can be classed as a live line or live bus. The dead voltage monitors should be set to somewhere above the expected level of induced voltages on the line or bus. It should be noted that a dead line or bus can have a considerable potential induced onto it from a parallel line or capacitance across open breaker contacts. This potential can be as high as 30% of rated voltage.

2.6 Synchronising Override Logic

The synchronising override logic is provided to close immediately and not wait for the relay's synchronisation. Settings provide options for Dead Line and Live Bus closing, Live Line and Dead Bus closing. All of the possible combinations are shown below.

Check Sync Close Enabled/Disabled

Dead Line Close Enabled/Disabled

Dead Bar Close Enabled/Disabled

Sync Override

Manual Sync Override

2.7 Slip and Phase Angle Relationship

Slip frequency is defined as the difference between two frequencies. As two different frequencies 'slip' past each other large phase angle differences can ensue. Another way to calculate slip is to measure the phase difference between two waveforms and check that the phase angle change in a defined time period is less than a predetermined value. If F1 and F2 represent the frequencies of two systems then it can be shown that for check synchronising operation,

$$\Delta F = F1 - F2 = \frac{1}{T_d} \times \frac{\theta}{180^\circ}$$

where T_d = time delay setting and θ = phase angle setting.

For system synchronising operation the following formula is used because in this mode the relay will only issue a close signal if the phase angle is decreasing in value. It will not issue a close if the phase angle is increasing in value.

$$\Delta F = F1 - F2 = \frac{1}{T_d} \times \frac{\theta}{360^\circ}$$

where T_d = time delay setting and θ = phase angle setting.

The relay has both a frequency measuring element and phase detector and so can be set up to measure slip either directly or by the phase detector plus timer method. Use of either method is perfectly valid, as is use of both at the same time.

Note : if using both the slip frequency detector and the phase angle plus slip timer for a particular scheme then care has to be taken in setting selection. It is possible to set the relay up with an incorrect slip timer setting which will prevent the relay from issuing a valid close signal. For example if there is a high rate of slip on a system and the time delay setting has been set too long the incoming vector could pass through the valid close window too quickly and not allow the time delay to time out and give a valid output.

2.8 Check Synchronising Settings

The check synchronising operation of the relay is used mainly in switching operations which link two parts of a system which are weakly tied via other paths elsewhere in the system. In this synchronous system there should be no frequency difference across the breaker but large differences in phase

angle and voltage magnitude may exist due to the line characteristics such as its length and type of loading.

For check synchronising the relay should be set to the maximum phase angle and maximum voltage differences which still permit the circuit breaker to close without causing large disturbances to the system. For most systems the phase angle should be set between 20° and 30°. There should not be any slip frequency but a setting of 50mHz is typically applied as a check against loss of synchronism. Table 1 shows some possible check synchronising settings when using the phase detector plus time delay method.

Phase Angle Setting (θ)	Ideal Time Delay	Actual Timer Setting (Td)	Actual Slip Frequency (mHz)
10	1.11	1.1	50.505
15	1.67	1.7	49.020
20	2.22	2.2	50.505
25	2.78	2.8	49.603
30	3.33	3.3	50.505
35	3.89	3.9	49.858
40	4.44	4.4	50.505
45	5.00	5.0	50.000

Table 4 - Typical Check Synchronising Settings

Alternatively, if the slip frequency detector is used and the slip timer turned OFF, a setting of 50mHz could be applied to the slip frequency detector directly to achieve the same ends.

Note : in check synchronising mode the valid phase window for closing is actually twice the phase angle setting value because the valid close can be given when the phase angle is either decreasing or increasing.

2.9 System Synchronising Settings

The system synchronising operation of the relay can automatically start if the two systems become asynchronous i.e. there are no ties between the two systems and one system is effectively 'islanded'. If this situation occurs the frequencies will slip past each other and may cause the phase angle to come into the system split limits. The system split detector can be set anywhere from 90° to 175° and is typically set to 170°. This will start system synchronising automatically.

When there are high rates of slip between the two systems greater care is needed when closing the breaker and for this reason the system synchronising mode has independent settings from the check synchronising mode. The allowable phase angle close window is usually set much narrower than for check synchronising operation. Also the close decision from the relay is only given in the case of the phase angle decreasing. It will not issue a close if the phase angle is increasing in value. Typically the slip frequency will be set to a limit of 250mHz or less and the phase angle to 10° or 15°. Table 2 shows some possible system synchronising settings for limits of 100mHz and 250mHz respectively.

Phase Angle Setting (θ)	Ideal Time Delay	Actual Timer Setting (Td)	Actual Slip Frequency (mHz)
10	0.56	0.5	111.111
15	0.83	0.8	104.167
10	0.11	0.1	277.778
15	0.33	0.3	277.778

Table 5 - Typical System Synchronising Settings

Alternatively, if the slip frequency detector is used and the slip timer turned OFF, settings of 100mHz and 250mHz could be applied to the slip frequency detector directly to achieve the same ends.

2.10 Example Setting Calculations For Slip Timer

For check synchronising the relay can issue a valid close signal at any time while the incoming vector is within the phase angle setting range. If it gives the close signal at the boundary of the setting then the breaker will close with the phase angle outside of the setting limits. This is due to delays with the software timing loop issuing the close command, the output relay picking up and the actual breaker closing time delays. To reduce the risk of a late closure it is common practice to set the time delay setting (Td) to typically 10x the circuit breaker closing time. This will ensure that the breaker will close no later than 1.2x the actual phase angle setting of the relay.

Proof :

The change in phase angle between two waveforms is directly related to the frequency difference, or slip, between them. The change in phase angle $\Delta\theta$ for a system with 1Hz slip is 360° in 1 second. Thus,

Change in phase angle $\Delta\theta = (\text{Slip} \times 360^\circ) / \text{sec}$.

The amount the phasor can travel during the breaker close time can therefore be given by,

$\Delta\theta = \text{Slip} \times 360^\circ \times t_c$ - where t_c is the breaker close time.

Using the equation given in section 2.7 for check synchronising,

$\text{Slip} = \frac{1}{T_d} \times \frac{\theta}{180^\circ}$ and substituting this into $\Delta\theta = \text{Slip} \times 360^\circ \times t_c$ gives the following,

$$\Delta\theta = \frac{1}{T_d} \times \frac{\theta}{180^\circ} \times 360^\circ \times t_c ;$$

It was stated that the slip timer setting T_d should be set to 10x the breaker closing time t_c .

Substituting for this in the above equation gives,

$$\Delta\theta = (2 \times \theta) / 10 \quad \text{or} \quad \Delta\theta = 0.2 \times \theta$$

Thus for a time delay (T_d) of 10x breaker closing time (t_c) the actual change in phase angle will be 20% of the phase angle setting. The maximum closing angle will be 120% of phase angle setting.

In practice the relay operating times need to be taken into consideration. A typical example now follows :

- Maximum allowed phase angle for closure = 30° .
- Circuit breaker closure time = 150ms.
- Maximum relay delays – S/W loop + Output relay delays = 5ms + 7ms = 12ms.

Therefore slip timer time delay should be set to 10x (150ms + 12ms) = 1.62sec.

The phase angle setting should be set to 80% of the maximum allowable closing angle which is 24° .

If the relay was to issue a close right on the boundary of 24° then the breaker will definitely not close outside of 30° .

With an angle of 24° and T_d of 1.62sec, using the equation from section 2.7, the slip is therefore

$24 / (1.62 \times 180) = 82\text{mHz}$. If the relay were to close on the boundary the phase angle traversed in the 162ms total delay time is given by,

$$\Delta\theta = \text{Slip} \times 360^\circ \times (t_c + t_{\text{relay}}) = 0.082 \times 360 \times 0.162 = 4.78^\circ.$$

2.11 Diagrams

At the back of this section figure 9/10 shows a typical connection diagram for the relay. Figure 11 shows a programming matrix (with Default setting information), which is a convenient way of recording the input / output logic for the relay. Figure 12 shows a blank programming matrix.

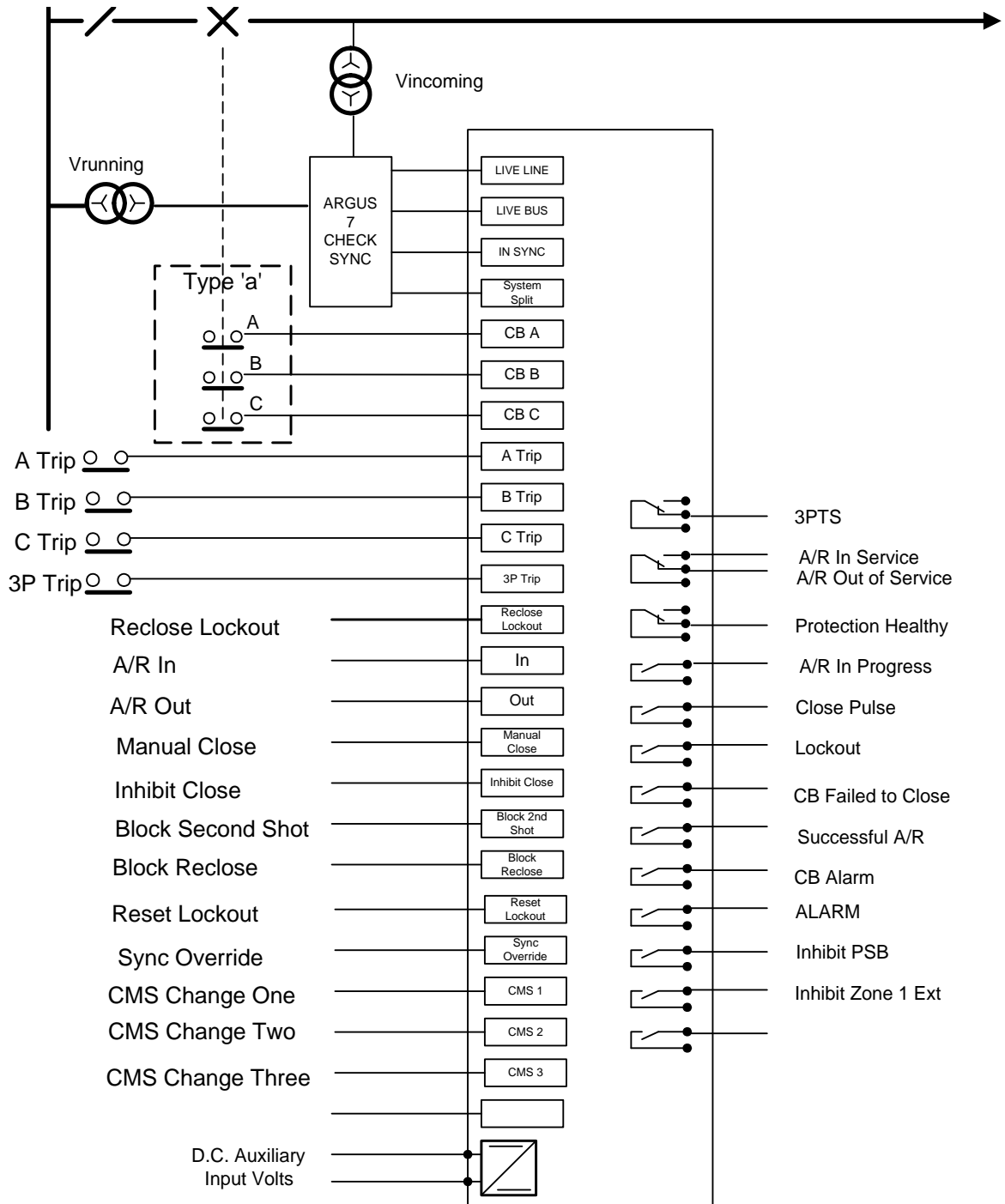


Figure 9 Tau 100 Connection diagram

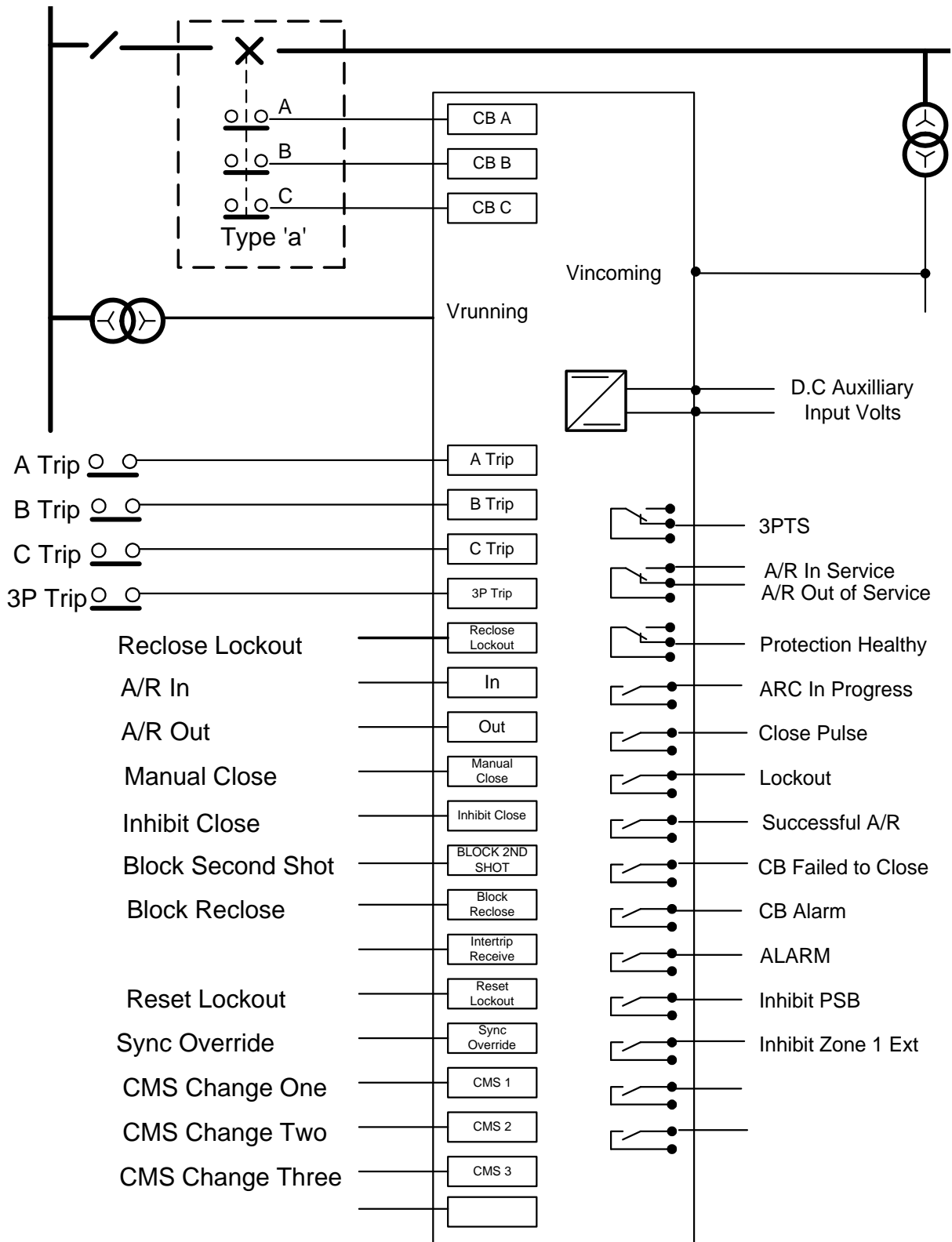


Figure 10 Tau 200 Connection diagram

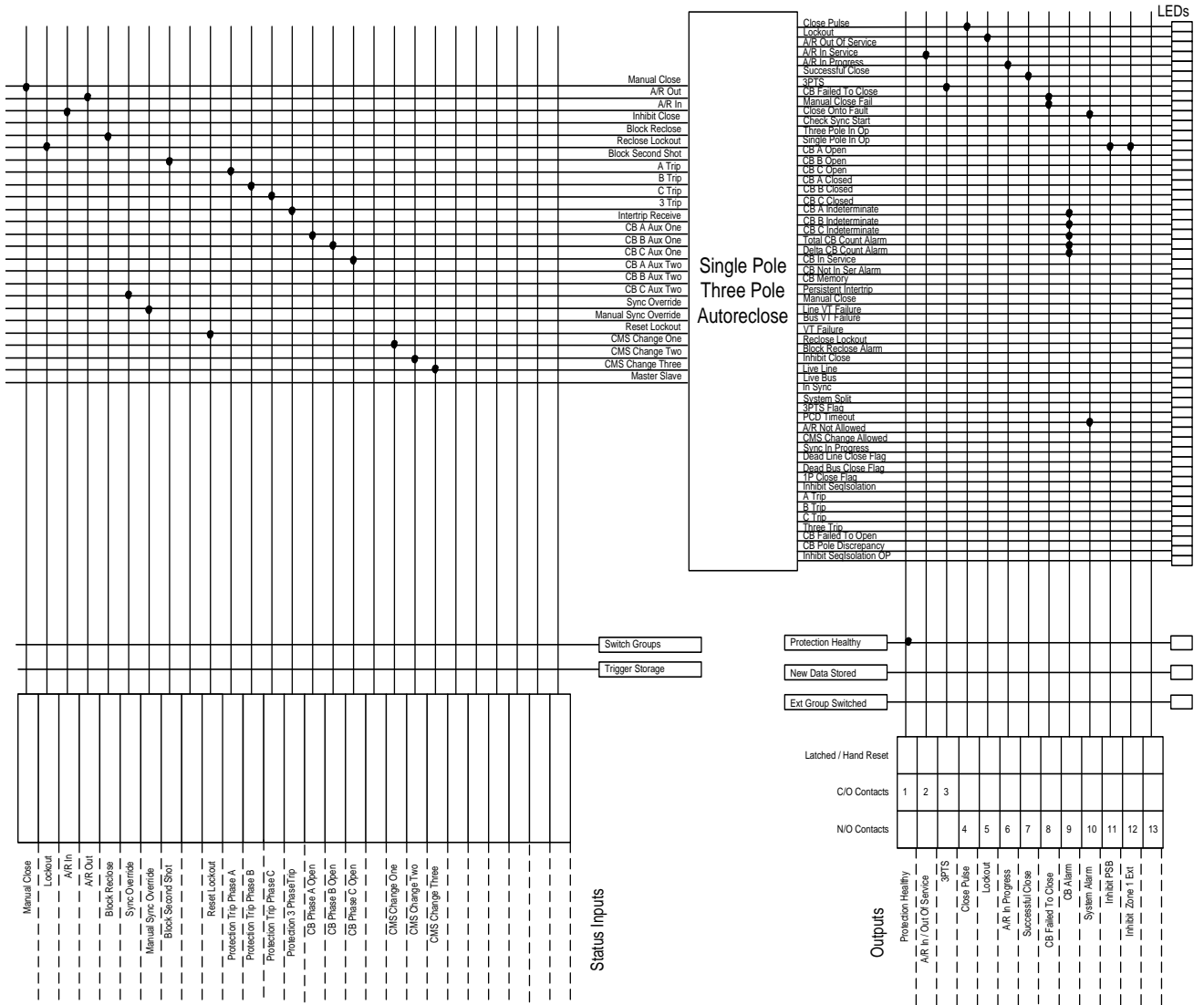


Figure 11 Programming Matrix – Default Settings

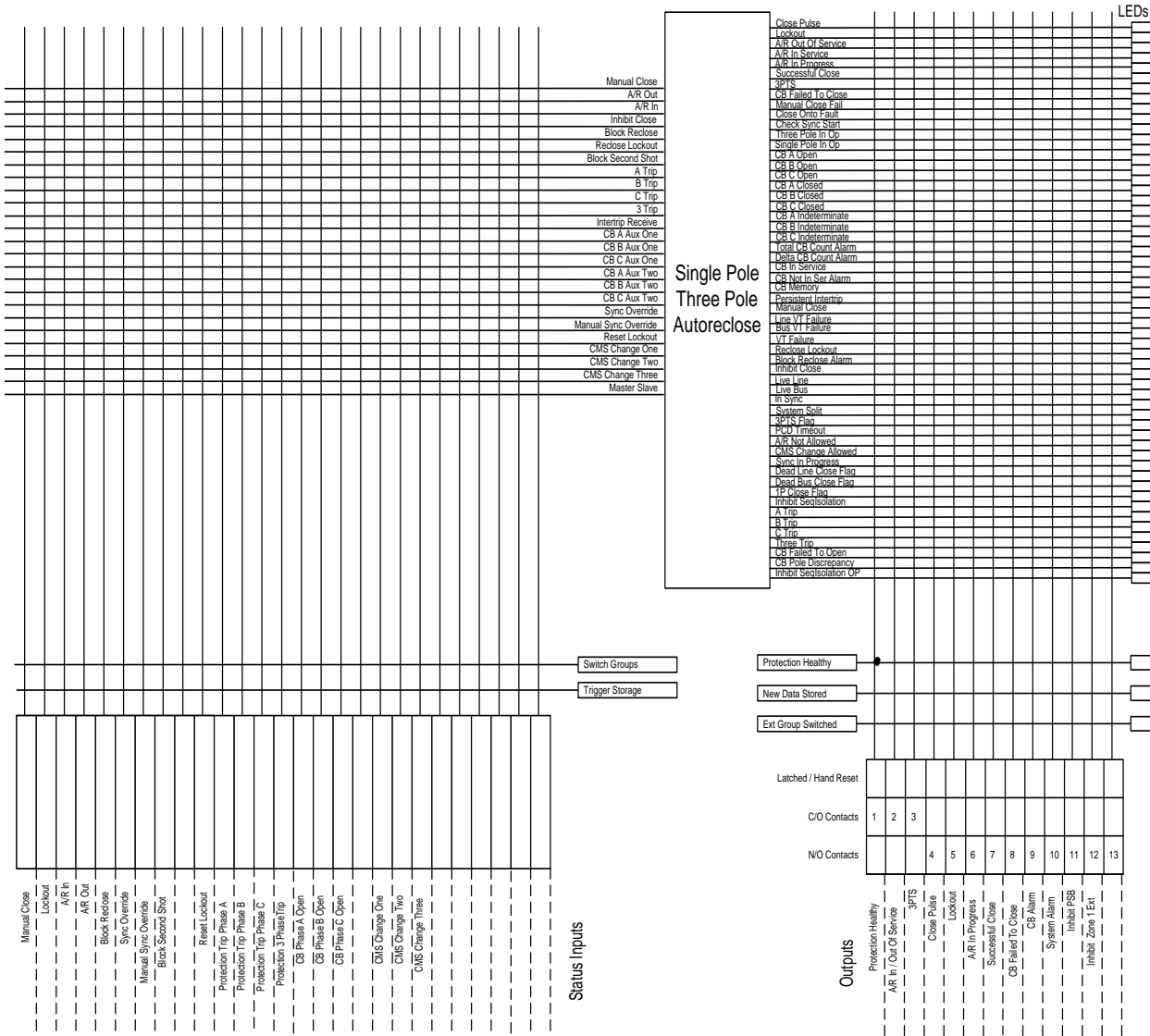


Figure 12 Blank Programming Matrix

7SG26 Tau

Auto Re-close

Document Release History

This document is issue 2010/02. The list of revisions up to and including this issue is:
Pre release

2010/02	Document reformat due to rebrand
---------	----------------------------------

Software Revision History

The copyright and other intellectual property rights in this document, and in any model or article produced from it (and including any registered or unregistered design rights) are the property of Siemens Protection Devices Limited. No part of this document shall be reproduced or modified or stored in another form, in any data retrieval system, without the permission of Siemens Protection Devices Limited, nor shall any model or article be reproduced from this document unless Siemens Protection Devices Limited consent.

While the information and guidance given in this document is believed to be correct, no liability shall be accepted for any loss or damage caused by any error or omission, whether such error or omission is the result of negligence or any other cause. Any and all such liability is disclaimed.

Contents

1. UNPACKING, STORAGE AND HANDLING	3
2. RECOMMENDED MOUNTING POSITION.....	3
3. RELAY DIMENSIONS.....	3
4. FIXINGS.....	3
4.1 Crimps	3
4.2 Panel Fixing Screws	3
4.3 Communications	3
5. ANCILLARY EQUIPMENT	4

1. UNPACKING, STORAGE AND HANDLING

On receipt, remove the relay from the container in which it was received and inspect it for obvious damage. Check that the relay is the correct model number and the rating information is correct. It is recommended that the relay is not removed from the case. To prevent the possible ingress of dirt, the sealed polythene bag should not be opened until the relay is to be used. If damage has been sustained a claim should immediately be made against the carrier and Reyrolle Protection and the nearest Reyrolle agent should be informed.

When not required for immediate use the relay should be returned to its original carton and stored in a clean, dry place. The relay contains static sensitive devices, which are susceptible to damage due to static discharge and for this reason it is essential that the correct handling procedure is followed. The relays' electronic circuits are protected from damage by static discharge when it is housed in its case. When it has been withdrawn from the case, static handling procedures should be observed.

- Before removing the relay from its case the operator must first ensure that they are at the same potential as the relay by touching the case.
- The relay must not be handled by any of the relay terminals on the rear of the chassis.
- Relays must be packed for transport in an anti-static container.
- Ensure that anyone else handling the relays is at the same potential as the relay.

As there are no user serviceable parts in the relay, then there should be no requirement to remove any modules from the chassis. If any modules have been removed or tampered with, then the guarantee will be invalidated. Reyrolle Protection reserves the right to charge for any subsequent repairs.

2. RECOMMENDED MOUNTING POSITION

The relay uses a liquid crystal display (LCD) which displays setting and metering information. It has a viewing angle of $\pm 70^\circ$ and an internal back light. The recommended viewing position is at eye level.

The relay should be mounted onto the circuit breaker or panel at a level which allows the user easiest access to the relay functions.

3. RELAY DIMENSIONS

The relay is supplied in a range of cases the Epsilon case size E8 (standard size), E12 or 19" rack. Mechanical diagrams of the case dimensions and panel cut-out requirements are provided in section 9 of this manual.

4. FIXINGS

4.1 Crimps

Amp Pidg or Plasti Grip Funnel entry ring tongue

Size	AMP Ref	Reyrolle Ref
0.25-1.6mm ²	342103	2109E11602
1.0-2.6mm ²	151758	2109E11264

4.2 Panel Fixing Screws

Kit – 2995G10046 comprising :

- Screw M4 X10TT 2106F14010 – 4 off
- Lock Washers 2104F70040 – 4 off
- Nut M4 2103F11040 – 4 off

4.3 Communications

9mm SMA fibre optic connections – 2 per relay.

(Refer to section 4 of this manual – Communications Interface).

5. ANCILLARY EQUIPMENT

The relay can be interrogated locally or remotely by making connection to the fibre optic terminals on the rear of the relay. For local interrogation a portable PC with a fibre to RS232 modem (Sigma 4) is required. The PC must be capable of running Microsoft Windows Ver 3.1 or greater, and it must have a standard RS232 port in order to drive the modem. For remote communications more specialised equipment is required. Refer to section 4 of this manual – Communications Interface.

7SG26 Tau

Auto Re-close

Document Release History

This document is issue 2010/02. The list of revisions up to and including this issue is:
Pre release

2010/02	Document reformat due to rebrand
---------	----------------------------------

Software Revision History

The copyright and other intellectual property rights in this document, and in any model or article produced from it (and including any registered or unregistered design rights) are the property of Siemens Protection Devices Limited. No part of this document shall be reproduced or modified or stored in another form, in any data retrieval system, without the permission of Siemens Protection Devices Limited, nor shall any model or article be reproduced from this document unless Siemens Protection Devices Limited consent.

While the information and guidance given in this document is believed to be correct, no liability shall be accepted for any loss or damage caused by any error or omission, whether such error or omission is the result of negligence or any other cause. Any and all such liability is disclaimed.

Contents

1. REQUIRED TEST EQUIPMENT	3
2. INSPECTION	3
3. APPLYING SETTINGS	3
4. PRECAUTIONS	3
5. TESTS.....	3
5.1 Insulation	3
5.2 Commissioning Tests.....	4
5.2.1 Status input tests	4
5.2.2 Output relay tests	4
5.2.3 Measurement Tests.....	5
5.2.4 Scheme Tests.....	5
6. PUTTING INTO SERVICE	13
APPENDIX 1 – Test Tables	14
APPENDIX 2 - Circuit Breaker Simulation Circuit	15

Table of Figures

Figure 1 CB In Service.....	9
Figure 2 Trip And Autoreclose.....	10
Figure 3 Autoreclose Timers.....	11
Figure A1	15
Figure A2	15

1. REQUIRED TEST EQUIPMENT

The following equipment will be required to perform commissioning tests on the relay.

- 500V Insulation resistance test set.
- Two variable A.C. voltage sources with a means of varying the phase relationship between them e.g. phase shifting transformer. Ideally, a portable relay test set e.g. Doble, Omicron etc.
- Time interval meter.
- 2 A.C. Voltmeters.
- Phase angle meter.
- D.C. supply with nominal voltage within the working range of the relay's D.C. auxiliary supply rating.
- D.C. supply with nominal voltage within the working range of the relay's D.C. status input rating.
- Continuity tester e.g. multimeter.

Additional equipment for testing the communications channel:

- Portable PC with an electrical-to-optical RS232 converter and fibre optic connectors.
- A copy of Reydisp Evolution software installed on the PC to exercise the communications channel.

2. INSPECTION

Check that the relay has not been damaged in any way since being installed into the panel. Check that the serial numbers of the relay, the case and the relay cover are all identical. Check also that the relay is the correct model and that the rating is correct.

Ensure that all connections are tight and in accordance with the relay wiring diagram or the scheme diagram. Check that all the modules are fully connected and inserted. Ensure that the relay case is solidly bonded to a local earth point by checking the earthing connection to the case.

3. APPLYING SETTINGS

Before applying settings to the relay the engineers should take time out to familiarise themselves with the relay's menu system. Section 1 and section 3 of this manual are helpful in this respect. The relay settings for the particular application should be applied before any secondary testing occurs. If they are not available then the relay has default settings which can be used for pre-commissioning tests. See section 3 of this manual for a list of the relay default settings.

Settings can be entered into the relay using the keypad on the front of the relay or they can be sent to the relay, from a file, using a portable PC and Reydisp Evolution software package.

Tau relays feature four alternative setting groups. In applications where more than one setting group is to be used then it may be necessary to test the relay in more than one configuration.

Note : when using setting groups it is important to remember that the relay need not necessarily be operating according to the settings which are currently being displayed. There is an "active setting group" on which the relay operates and an "edit/view setting group" which allows the settings in one group to be viewed and altered while protection continues to operate on a different unaffected group. The "active setting group" and the "edit setting group" are selected in the "System Configuration Menu".

4. PRECAUTIONS

Before testing commences the relay should be isolated from the voltage transformers in line with the local site procedures. The closing and alarm circuits should also be isolated where practical. Ensure that the correct d.c. auxiliary voltage is applied to the circuit. See the relevant scheme diagrams for the relay connections.

5. TESTS

5.1. Insulation

Connect together all of the V.T. terminals and measure the insulation resistance between these terminals and all of the other relay terminals connected together and to earth.

Connect together the terminals of the DC auxiliary supply circuit and measure the insulation resistance between these terminals and all of the other relay terminals connected together and to earth.

Connect together the terminals of the DC status input circuits and measure the insulation resistance between these terminals and all of the other relay terminals connected together and to earth.

Connect together the terminals of the output relay circuits and measure the insulation resistance between these terminals and all of the other relay terminals connected together and to earth.

Satisfactory values for the various readings above depend upon the amount of wiring concerned. Where considerable multi-core wiring is involved a reading of 2.5 to 3.0 M Ω can be considered satisfactory. For short lengths of wiring higher values can be expected. A value of 1.0 M Ω should not be considered satisfactory and should be investigated.

Remove temporary connections.

5.2. Commissioning Tests

Select the required relay configuration and settings for the application.

5.2.1. Status input tests

This test checks that the status input circuits are functioning correctly. The status input circuits should be energised in turn and observed to be operating using the Instruments mode 'Status Inputs 1-27' display. A '1' indicates that the status circuit is energised, a '0' indicates that it is not.

Connect the correct D.C. voltage to the following terminals to energise the status inputs :

Status Input	+ DC Volts	- DC Volts
Status 1	A21	A23
Status 2	A25	A27
Status 3	A26	A28
Status 4	B1	B3
Status 5	B5	B7
Status 6	B9	B11
Status 7	B13	B15
Status 8	B17	B21
Status 9	B19	B21
Status 10	B23	B27
Status 11	B25	B27
Status 12	C2	C4
Status 13	C6	C8
Status 14	C10	C12
Status 15	C14	C16
Status 16	C18	C22
Status 17	C20	C22
Status 18	C24	C28
Status 19	C26	C28
Status 20	C1	C3
Status 21	C5	C7
Status 22	C9	C11
Status 23	C13	C15
Status 24	C17	C21
Status 25	C19	C21
Status 26	C23	C27
Status 27	C25	C27

5.2.2. Output relay tests

This test checks that the output relays are functioning correctly. The output relays should be energised in turn and the contacts should be checked for correct operation using a continuity

tester. The output relays can be energised in a number of ways. The following is the recommended method :

Assign each output relay in turn to 'Protection Healthy' in the output relay menu. On pressing the ENTER key the output relay selected will be energised. Check with a continuity tester that the actual contacts have operated. De-select the output relay and check that the contact returns.

Output Relay	Type	Terminal No.
Relay 1	N/O	A4 – A5
Relay 1	N/C	A5 – A6
Relay 2	N/O	A8 – A9
Relay 2	N/C	A7 – A8
Relay 3	N/O	A10 – A12
Relay 3	N/C	A11 – A12
Relay 4	N/O	A17 – A19
Relay 5	N/O	A18 – A20
Relay 6	N/O	B2 – B4
Relay 7	N/O	B6 – B8
Relay 8	N/O	B10 – B12
Relay 9	N/O	B14 – B16
Relay 10	N/O	B18 – B22
Relay 11	N/O	B20 – B22
Relay 12	N/O	B24 – B28
Relay 13	N/O	B26 – B28

Note : when finished testing the output relays make sure that the 'Relay healthy' is re-assigned to the correct output relay given in the settings file.

5.2.3. Measurement Tests

Apply A.C.volts to both of the voltage input circuits of the relay using the A.C. variable voltage sources or portable relay test set. The relay should display the correct value of voltage $\pm 5\%$ which is the tolerance of the measurement display meters. The instruments mode 'Line RMS' and 'Bus RMS' meters display the secondary voltage levels.

The applied A.C. volts can be in the range of 5 – 200Vrms. Nominal volts of 63.5V.

5.2.4. Scheme Tests

It is not necessary to perform tests on all internal elements of the relay. If the settings have been checked, the external wiring checked, the status inputs and output relays verified and the relay measures satisfactorily then the relay can be deemed to be working to its design requirements. It will operate correctly, to the performance claims, and its operation under all service conditions is guaranteed.

However, if added confidence is required, then the following elements can be checked. Note that the relay should be commissioned with the actual settings calculated for the particular scheme.

Autoreclose schemes vary between different utilities. Some of the functions such as Block Reclose are used differently. Therefore it is important that tests are carried out with relevance to the engineered scheme.

The purpose of these tests is to confirm the correct operation of the status and control inputs. Some of the tests will require the application of voltage.

In order to ensure that all operations proceed correctly, the following should be observed:

- A working circuit breaker, complete with auxiliary supplies, should be connected to the relay, if possible; if not, then an electronic circuit simulating the circuit breaker operation may be used instead. See Appendix 2. If this is not available a switch may suffice, care will be required with settings. Or alternatively the test equipment may provide a CB control circuit.

- Throughout the tests, a close pulse length should be selected which is suitable for the circuit breaker or simulation circuit, given that the CB closing operation must be complete, before the close pulse is removed by the relay.

To facilitate ease of commissioning a meter is included in the instruments which shows what state the autoreclose sequence has reached. The states are as follows:

StartUpLockout: Temporarily displayed after power on.

AROutOfService: When the relay is switched Out Of Service either at start up or from the idle state.

InServiceLockout: When switching IN from Out Of Service there is a temporary switch in lockout.

Idle: quiescent state, waiting for an autoreclose sequence to begin.

Lockout: Lockout state. No Autoreclosing allowed.

The Autoreclose sequence is performed with the following states:

SequenceInProgress: AR Start. A trip has occurred and the CB was in service whilst in idle. Will wait for AR Primed conditions: CB Open AND Trip reset AND Dead Line.

SecDeadTimeInitiate: A trip within the first close pulse or first reclaim and a second reclose is allowed. Will wait for AR Primed conditions: CB Open AND Trip reset AND Dead Line.

SingleFirstDeadTime, ThreeFirstDeadTime, SingleSecDeadTime, ThreeSecondDeadTime: The autoreclose deadtime.

FirstCloseInhibit, SecondCloseInhibit: At the end of the deadtime if waiting for synchronisation or Block Reclose to reset then will be in this state.

FirstClosePulse, SecondClosePulse: The Close Pulse is being issued.

FirstReclaim, SecondReclaim: checking for correct reclose.

The Manual Closing sequence is performed with the following states:

ManualClose: Wait for correct close conditions, i.e. synchronisation.

ManualClosePulse: The Close Pulse is being issued.

ManualReclaim: checking for correct close.

After receiving the relay the default position is Out Of Service, therefore at power up the meter will display StartUpLockout to AROutOfService.

With the state displaying AROutOfService an A/R IN signal is required to switch in the relay. The meter will then display InServiceLockout to Idle. There should be a 4 second delay while the relay is temporarily in Lockout.

Idle is the quiescent state when waiting for an autoreclose sequence to begin. This should be the initial displayed state when performing the majority of the tests.

1. Phase Angle Tests

The CS Phase Angle detector and the SS Phase Angle detector can be tested in the following way:

Apply nominal volts to both the line and bus input terminals of the relay. On initial turn on, the relay will start in check synchronising mode. If the voltage vectors are displaced by an amount greater than the CS Phase Angle setting but not as much as the System Split Detector angle then the relay will stay in check synchronising mode. Using the instruments display, locate the Phase Angle instrument as shown below:

<p>Phase Angle 0.0°</p>

Check the Check Sync Angle setting in the SYNC MENU. Assign an unused LED to indicate In Sync i.e. L = 16. At switch on, the relay has a 2sec. delay before In Sync is issued, but if voltages are continuously applied and only the phase angle changed the In Sync LED can then be used to check pick-up and drop-off of the Check Sync function. Apply voltage, after 2 sec the

LED will come on, Slowly increase the phase angle past the setting so that the LED goes out. Slowly bring in the phase angle and check the pick up. Then slowly increase the phase angle and check the drop off. The pick up and drop off values should fall within the performance claims given in Section 2 - Performance Specification subsection 6. Repeat for opposite angles.

Note : the phase angle should be adjusted slowly so that the LCD has time to update. The instrument has a delay on updating.

This test should be repeated for the system synchronising settings. This is best carried out by increasing the phase angle until a split occurs and then bringing the angles in. The split will cause the relay to go into system synchronising mode.

The results can be put into Table 1 at the back of this section.

2. Slip Frequency Tests

The CS Slip Frequency detector and SS Slip Frequency detector elements are more difficult to test and require variable frequency sources. A portable relay test set is ideal for this.

Depending on the relay scheme settings it may be difficult to test the CS and SS slip frequency elements independently without adjusting the settings.

To test the CS Slip Frequency element turn the Split Angle to OFF. This will ensure that a split does not happen and the relay is in check sync mode. Increase the frequency slip to a value outside of the slip frequency limits and then slowly reduce it until the element picks up. This will be indicated on the same LED as above. Gradually increase the slip until the element drops off as indicated. Record the results in Table 2.

To test the SS Slip Frequency element turn the Split Angle back to the value required for the scheme. System Sync only occurs after a system split. Turn CS Slip Frequency element to OFF. Increase the phase angle until a split occurs and then repeat the above tests. Record the results in Table 2.

To test the Close On Zero (COZ) function an Omicron test set or similar should be used. This function closes when the two voltages are in phase. Using Check Sync or System Sync the relay will always close just after it passes the set limits. With Close On Zero the relay uses the CB Closing time and works out from the slip frequency the point at which the two voltages are at actual zero phase angle. COZ is part of the reclosing scheme and can only proceed when an autoreclose sequence or a Manual Close is issued after a system split. The easiest way to test this function is to use a Manual Close input. The setting MC Split Action should be set to Close On Zero. The test equipment can be used to stop recording from a Close Pulse output relay. Make sure that all Closing links are removed prior to the test. The following sequence can be used to test the COZ function: Increase the phase angle until a split occurs, the CB should be open, issue Manual Close, decrease the phase angle until a close pulse is issued. Make sure that the time it takes to decrease the phase angle is not greater than the Sync Close delay otherwise the relay will go to Lockout before the test is complete. Record the results in Table 2.

All the results should fall within the performance claims given in Section 2 - Performance Specification.

Note : remember to return all settings back to the original scheme settings if they have had to be changed.

3. Timer Tests

The Check Sync Timer and System Sync Timer can be tested by setting the angle between the two voltages to a value outside of the phase angle settings. Reduce the phase angle to zero and the output should not close until after the timer has timed out.

In practice however, the timers are difficult to test without specialist test equipment and test software. There are three recommended methods:

1. Apply in phase nominal volts to the relay. The relay will issue a close only after the timer has timed out. Note, however, that the relay has a start-up timer of 2sec. which is the minimum time before an output is given. This start-up timer effectively runs in parallel with the timer. If for example a Check Sync Time of 2.0sec has been selected then the time for close will be 2.0sec. If however, 0.5sec has been selected then the time for close will be 2.0sec.
2. Apply in phase volts to the relay at a level below the undervoltage blocking element level. The relay will time through the start-up timer. If the volts are then increased to nominal then the relay will close after the set slip time. If 0.5sec has been selected then the relay will close after 0.5sec.

All results should fall within the performance claims given in Section 2 - Performance Specification.

3. Using Reydisp Evolution software the event records will give accurate times for all of the timing events within the relay. The following events were extracted from a relay which had the Check Sync Timer set to 1.0 sec. When the phase angle moved inside the close window the actual close output was given after a time of 1.005 seconds.

09:08:43.020 , 21/02/00 Rey Raised In Sync

09:08:44.025 , 21/02/00 IEC Raised CB 'on' by AR

4. Voltage Detectors

Check the pick up and drop off levels for the voltage detector elements. Individually ramp up and down the line and bus volts and examine a Live Line / Live Bus LED indication to see where the elements actually operate. Record the results in Table 4.

5. Undervoltage Elements

Check the pick up and drop off levels for both the line undervoltage and bus undervoltage blocking elements. The In Sync indication is derived from In Phase AND No Slip AND No Differential AND Not Undervolts. Apply voltage from the same source to the Line and Bus inputs, decrease the voltage until the In Sync LED goes out, then increase the voltage until the LED comes back on. It is better to set the Check Sync timer to zero for this test. Separate results for the Line and Bus can be recorded by varying the Undervolts settings. Record the results in Table 4.

6. Differential Voltage Elements

Check the pick up and drop off levels for the differential voltage blocking element. Apply different voltages to the Line and Bus. Keep the voltages in phase and no slip and above the undervoltage levels. The In Sync LED will go out when the Voltage Differential setting goes above the setting. Record the results in Table 4.

All results should fall within the performance claims given in Section 2 - Performance Specification.

7. A/R In/Out Switching

The relay can be switched out at any point. The commissioning to confirm the action of the In/Out switching mechanism requires a full understanding of how this function works. A/R Out has priority over A/R In. This function can be used as an Autoreclose Inhibit.

Energise A/R Out and check for A/R Out of Service indication. Check in the instruments mode that Autoreclose State displays AROutOfService.

Energise A/R In and not A/R Out, the relay should then go back to indicate A/R In Service. Whilst performing the test check in the instruments mode that the Autoreclose State progresses from displaying AROutOfService to InServiceLockout to Idle.

With both A/R In and A/R Out energised the relay should indicate A/R Out of Service.

There is a temporary 4 second Lockout whilst the relay is switched back into service.

During an autoreclose sequence if A/R Out is asserted the relay will go to Lockout. Whilst in Lockout an A/R In is required before Lockout can be exited.

8. CB Status

The CB Status should be checked before any other input as correct operation of the autoreclose sequence relies upon the state of the circuit breaker being received correctly from the auxiliary contact circuit. Various connections can be used, as described in the Applications Guide.

There are separate signals provided for each phase:

CB A Open, CB B Open, CB C Open.

CB A Closed, CB B Closed, CB C Closed.

CB A indeterminate, CB B Indeterminate, CB C Indeterminate.

Ensure that with the circuit breaker in the open position, the CB Open (appropriate CB Aux input) status input is enabled. Check that with the CB in the open position, the CB Open LED is lit.

Ensure that with the circuit breaker in the closed position, the CB Closed (appropriate CB Aux input) status input is enabled. Check that with the CB in the closed position, the CB Closed LED is lit. Operate the CB manually, and ensure that it is in the closed position. Check that the CB Closed LED is lit.

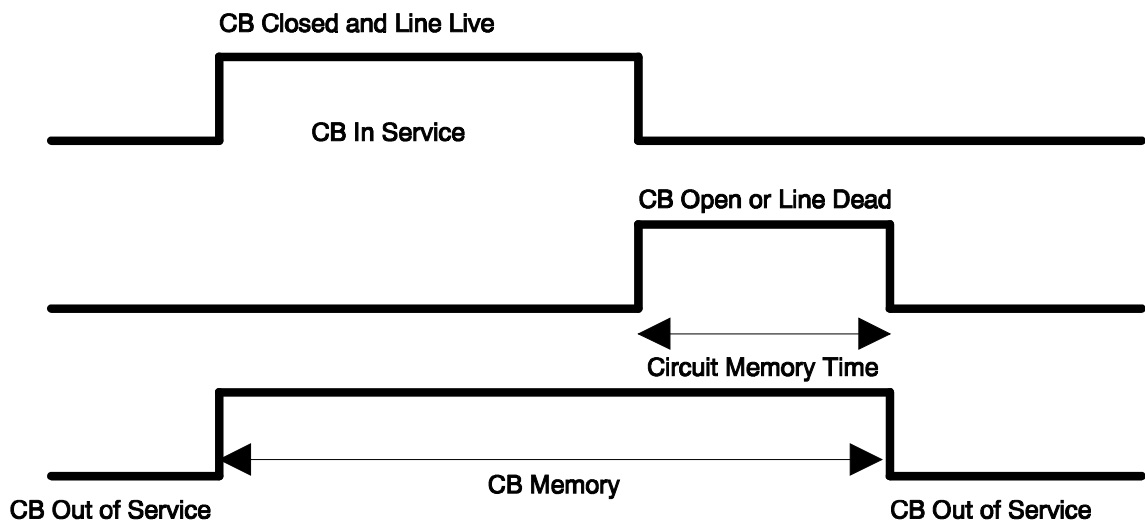
The indication if the CB is Open and Closed, or not Open and not Closed is a separate CB Indeterminate LED and output for this.

9. CB In Service

With the CB Status correctly commissioned the CB In Service is not required to be checked. However the test is explained below:

To prevent unwanted autorecloses a CB In Service feature is provided which only allows autoreclosing to start provided the CB was in the closed position prior to a trip input being received. For the relay with Check Synchronisation the CB in Service feature includes CB Closed and Live Line. This is classified as the CB Memory and has a 2 second delayed drop off.

To facilitate commissioning the logic outputs from this function are mapped to the LED menu: CB Not In Service Alarm (which is at the end of the 2 sec delayed drop-off) and CB Memory.



Map the CB Memory and CB Not In Service Alarm to LEDs. Manually close the CB and energise the line voltage, CB Memory should be lit. De-energise either the line or open the CB (manually open the CB), the CB Memory should reset after a 2 second delay and the CB Not In Service Alarm should be lit.

10. Trip and Autoreclose

Ensure that the CB is closed, and voltage is applied to both the line and bus VTs. Operate the trip status input whilst CB Memory is lit, A/R In Progress should light.

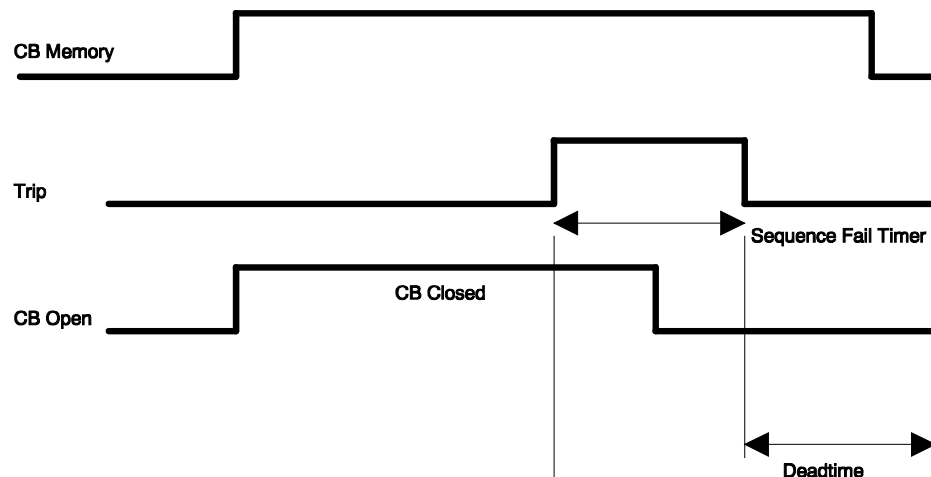


Figure 2 Trip And Autoreclose

If a trip input occurs and CB Memory is not lit then an A/R Not Allowed indication is raised. This may be connected to cause the relay to go to Lockout, check scheme details to determine whether this needs testing.

The deadtime is started when the CB opens and the trip resets. There is a timer Sequence Fail Timer provided which can be set to go to Lockout if either the CB does not open or the trip fails to reset within the set time. This is provided to prevent the autoreclose sequence being primed indefinitely; or the Sequence Fail timer can be set to OFF.

Assuming the trip operation to be successful, the close pulse will be issued after the first deadtime setting – close the CB during the close pulse, followed by a reclaim period, before the relay returns to an idle condition, and indicates Successful Close.

If the CB is not closed during the close pulse the relay will indicate Lockout and CB Failed To Close.

11. Measurement of Autoreclose Time Delays

All of the time delays are proven by software testing. The autoreclose time delays may be measured to give added confidence. The measurements may be recorded using Reydisp.

Measure the Sequence Fail Timer (if applied) – Set the Sequence Fail timer to greater than the trip reset time, say 60 seconds. With CB Memory lit, energise a trip signal (start the timer), stop the timer when lockout is issued.

Measure the Deadtime time delay – To measure the deadtime the correct sequence of events must occur: Set Start Deadtime to Trip Reset. With CB Memory lit, energise a trip signal, then open the CB, de-energise the line, remove the trip signal (start the timer). Stop the timer when the Close Pulse is issued. The Close Pulse will be issued if the line is de-energised and the setting Dead Line Close is selected to Enabled.

Measure the Close Pulse – measure the duration of the close pulse which should correspond to the setting.

Measure the Reclaim time - Start at the end of the close pulse, stop when Successful Close is issued, provided the CB has closed.

Measure the Sync Close Delay (if applied) – apply Dead Line Close = Disabled, Dead Bar Close = Disabled, Check Sync Close = Enabled. Start the deadtime but do not reapply voltage, the system will wait for as long as the deadtime + Sync Close Delay before going to Lockout.

Measure the Persistent Intertrip Timer (if applied) – Energise the Intertrip Receive status input (start timer). Keep energised until Lockout is issued (stop timer).

The time delays for the Start Up Lockout Timer, In Service Lockout Timer, Minimum Lockout Timer and Lockout Delayed Drop Off Timer are set within the relay and are not adjustable, they are therefore not required to be tested.

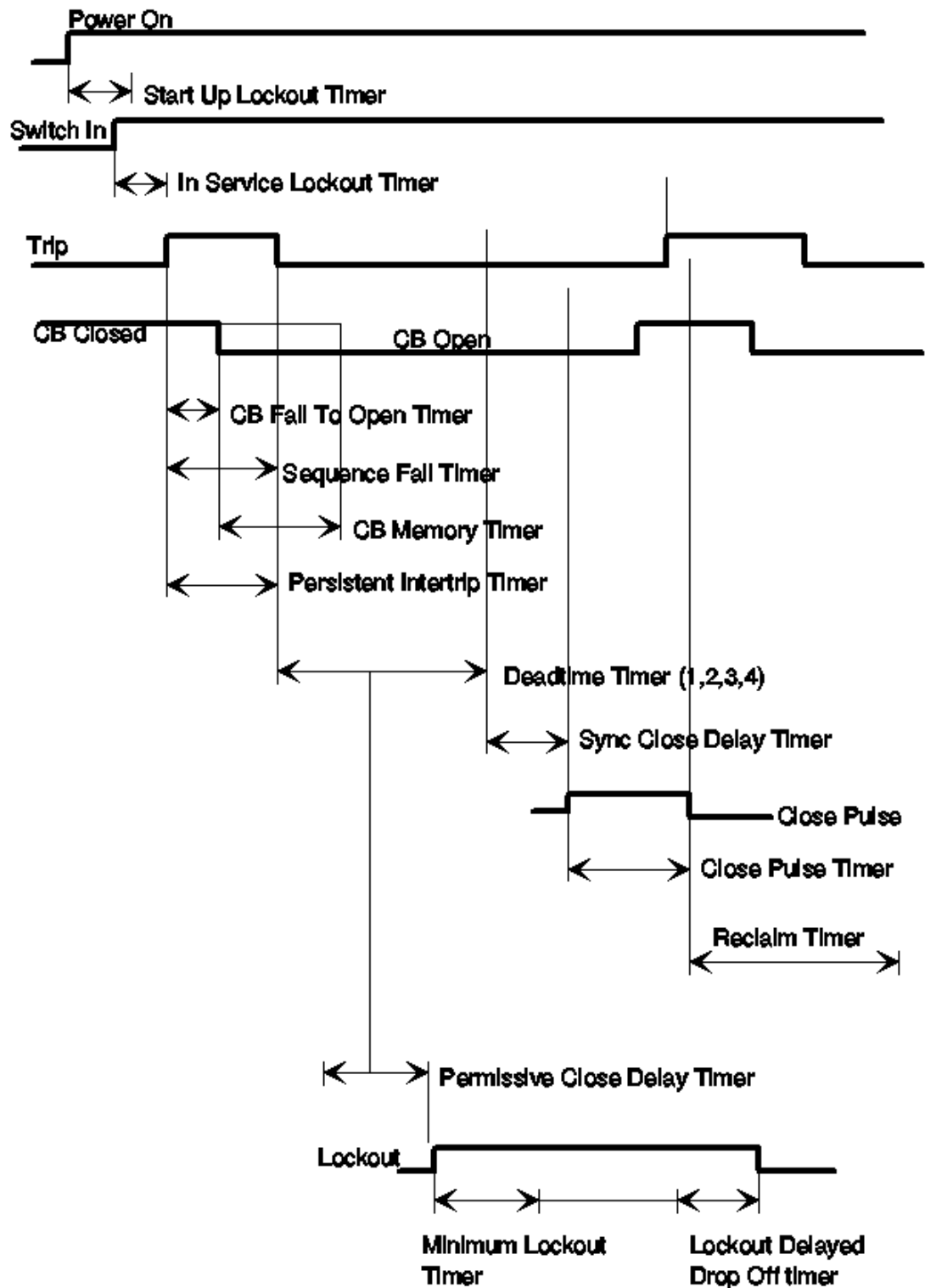


Figure 3 Autoreclose Timers

12. Reclose Lockout

The autoreclose sequence can be locked out at any point in the sequence provided that the A/R is In Service. Ensure that the relay is In Service, energise the Reclose Lockout status input, confirm that the relay indicates Lockout.

13. Manual Close

Manual Closing can occur at any point. This mimics a hard-wired close command to the circuit breaker.

With the circuit breaker closed. Operate the Manual Close input and ensure that no close pulse is issued.

Manually trip the circuit breaker. Operate the Manual Close input, and ensure that a close pulse of the programmed time is issued.

14. System Closing Conditions

The test for Dead Line Closing, Dead Bar Closing or Check Sync Closing is different dependent upon whether it is a Manual Close or Autoreclose.

There are three settings associated with the circuit breaker's three pole closing conditions:

Dead Line Close Enabled/Disabled.

Dead Bar Close Enabled/Disabled.

Check Sync Close Enabled/Disabled.

The order at which these are checked is Dead Line then Dead Bar then Check Sync. However Check Sync has priority.

These settings are only relevant to Three Pole autoreclosing. Single Pole Autoreclosing does not check these settings. Also, when a Manual Close is issued the relay does not check these settings, the relay just checks the state of the system.

To test for the Manual Close conditions:

Manually open the circuit breakers. Apply voltage to indicate Live Bar and issue a Manual Close. The relay should issue a close pulse and a Dead Line Close Flag.

Manually open the circuit breakers. Apply voltage to indicate Live Line and issue a Manual Close. The relay should issue a close pulse and a Dead Bus Close Flag.

Manually open the circuit breakers. Apply voltage to indicate Live Line and Live Bar and issue a Manual Close. The relay should issue a close pulse and a Sync In Progress Flag.

To test for the three pole autoreclosing conditions:

Dead Line Closing - Ensure that the circuit breaker is closed. Select Dead Line Close = Enabled in the A/R MENU. For an autoreclosing sequence to start, the CB must be closed and the line live. Issue a 3P trip input and then open all the circuit breakers, switch off the line voltage. Keep the line voltage off to simulate a dead line close. After the first deadtime the close pulse should be issued together with a Dead Line Close Flag.

Dead Bar Closing - Ensure that the circuit breaker is closed. Select Dead Bar Close = Enabled and Dead Line Close = Disabled in the A/R MENU. For an autoreclosing sequence to start, the CB must be closed and the line live. Issue a 3P trip input and then open all the circuit breakers, switch off the line voltage. Keep the line voltage and bar voltage off to simulate a dead bar close. After the first deadtime the close pulse should be issued together with a Dead Bus Close Flag.

There are two instances where closing can be performed by Sync Check. These are either at the end of the deadtime when the system will wait for as long as the Sync Close Delay; Or during the deadtime when the system comes into synchronisation and Check Sync Close is allowed. For the latter the deadtime will be bypassed and the close pulse issued directly. To test for both of these:

Check Sync Closing at end of deadtime - Ensure that the circuit breaker is closed. Select Dead Bar Close = Disabled and Dead Line Close = Disabled and Check Sync Close = Enabled in the A/R MENU. For an autoreclosing sequence to start, the CB must be closed and the line live. Issue a 3P trip input and then open all the circuit breakers, switch off the line voltage. Keep the bar voltage live. At the end of the deadtime switch on the line voltage and bring the line and bar volts into synchronism. The close pulse should be issued together with a Sync In Progress Flag.

Check Sync Closing during the deadtime - Ensure that the circuit breaker is closed. Select Dead Bar Close = Disabled and Dead Line Close = Disabled and Check Sync Close = Enabled in the A/R MENU. For an autoreclosing sequence to start, the CB must be closed and the line live. Issue a 3P trip input and then open all the circuit breakers, switch off the line voltage. Keep the bar voltage live. During the deadtime switch on the line voltage and bring the line and bar volts into synchronism. A suitably long deadtime should be set. The close pulse should be issued together with a Sync In Progress Flag.

To test for single pole autoreclosing:

Ensure that the circuit breaker is closed. Select Close Mode Selection = 1P/3P in the A/R MENU. For an autoreclosing sequence to start, the CB must be closed and the line live. Issue an A Phase trip input and then open the A Phase circuit breaker. Keep the line voltage on to simulate a single pole open. After the first 1P deadtime the close pulse should be issued together with a 1Pole Close Flag. Repeat for other phases.

15. Multi-shot Autoreclose sequence

The relay can be programmed to perform a number of autoreclose shots.

The setting Close Mode Selection controls the number of closes.

6. Putting Into Service

After tests have been performed satisfactorily the relay should be put back into service as follows :

- Remove all test connections
- Where possible, the relay settings should be downloaded to a computer and a printout of the settings obtained. This should then be compared against the required settings. It is important that the correct settings group is active, if more than one group has been programmed.
- Replace all fuses and links.

APPENDIX 1 – Test Tables

Table 1 – Phase Angle Tests

Phase Element	Phase Setting (Degrees)	Positive angle		Negative angle	
		Pick Up (Degrees)	Drop Off (Degrees)	Pick Up (Degrees)	Drop Off (Degrees)
CS Phase Angle					
SS Phase Angle					

Table 2 – Slip Frequency Tests

Slip Element	Slip Setting (Hz)	Positive Slip		Negative Slip	
		Pick Up (Hz)	Drop Off (Hz)	Pick Up (Hz)	Drop Off (Hz)
CS Slip Freq.					
SS Slip Freq.					

Table 3 – Timer Tests

Timer Type	Timer Setting (sec)	Actual Time (sec)
CS Timer		
SS Timer		

Table 4 – Voltage Element Tests

Voltage Detector	Live Level			Dead Level		
	Setting (V)	Pick Up (V)	Drop Off (V)	Setting (V)	Pick Up (V)	Drop Off (V)
Line						
Bus						

Voltage Element	Setting (V)	Pick Up (V)	Drop Off (V)
Line Undervoltage			
Bus Undervoltage			
Differential Element			

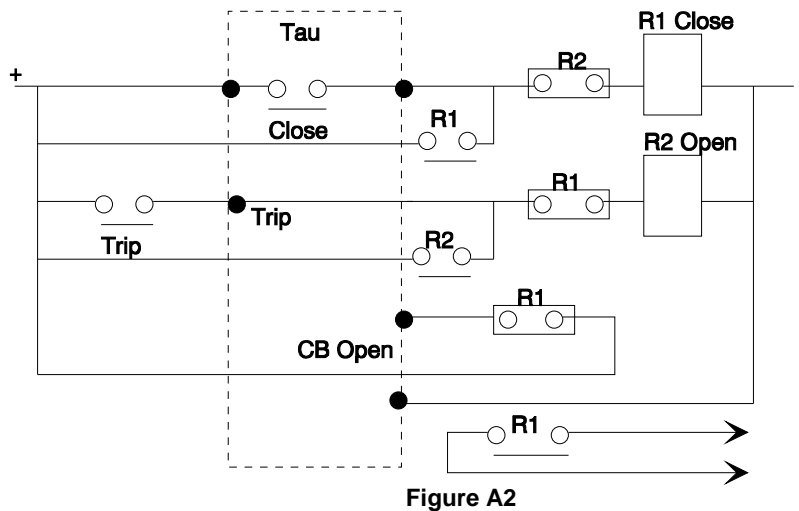
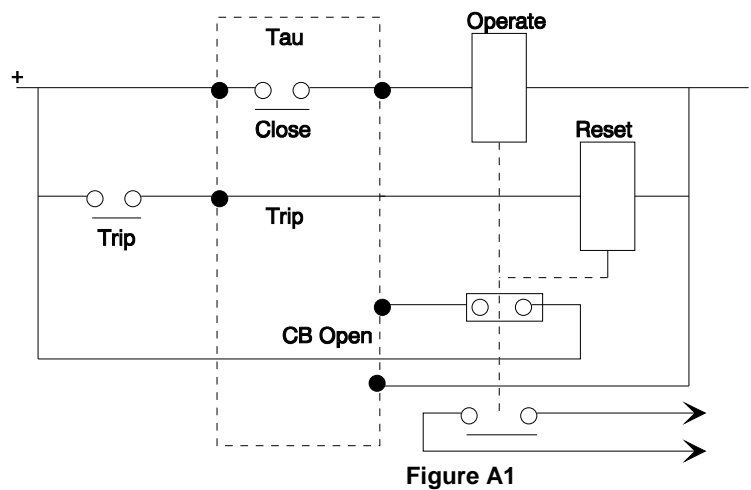
APPENDIX 2 - Circuit Breaker Simulation Circuit

This appendix describes the circuit used at Reyrolle to simulate circuit breaker operation during the development of the relay software, enabling the Tau to be tested in isolation from a full working circuit breaker.

The circuit consisted of a two coil, magnetic latching bistable relay, which operated from trip and close signals. The latching relay was used to drive a 5 volt, 8mm relay, with double pole, changeover contacts. These contacts were then used as follows:

- One pair of normally closed contacts was used to drive the CB OPEN status input of the TAU to provide circuit breaker position information for the trip and close operation tests.
- One pair of normally open contacts was used to simulate the circuit breaker main contacts.

The circuit used is shown in figure A1 below. Any suitable latching relay could be used. Alternatively, two 8mm relays connected as in figure A2 could be used in place of the magnetic latching relay.



7SG26 Tau

Auto Re-close

Document Release History

This document is issue 2010/02. The list of revisions up to and including this issue is:
Pre release

2010/02	Document reformat due to rebrand
---------	----------------------------------

Software Revision History

The copyright and other intellectual property rights in this document, and in any model or article produced from it (and including any registered or unregistered design rights) are the property of Siemens Protection Devices Limited. No part of this document shall be reproduced or modified or stored in another form, in any data retrieval system, without the permission of Siemens Protection Devices Limited, nor shall any model or article be reproduced from this document unless Siemens Protection Devices Limited consent.

While the information and guidance given in this document is believed to be correct, no liability shall be accepted for any loss or damage caused by any error or omission, whether such error or omission is the result of negligence or any other cause. Any and all such liability is disclaimed.

Contents

1	MAINTENANCE INSTRUCTIONS	3
2	DEFECT REPORT FORM	4

1 MAINTENANCE INSTRUCTIONS

The Tau range of relays are maintenance free, with no user serviceable parts. During the life of the relay it should be checked for operation during the normal maintenance period for the site on which the product is installed. It is recommended the following tests are carried out :

- 1 Visual inspection of the metering display (every year)
- 2 Operation of output contacts (every 2 years)
- 3 Secondary injection of each element (every 5 years)

2 DEFECT REPORT FORM

Please copy this sheet and use it to report any defect which may occur.

Customers Name & Address:			Contact Name:		
			Telephone No:		
			Fax No:		
Supplied by:			Date when installed		
Site:			Circuit:		
Date Found:	During Commissioning:	During Maintenance:	From a System Fault:	Other, please state:	
Product Name: Tau			Serial Number:		
Copy any message displayed by the relay:					
Describe Defect:					
Describe any other action taken:					
Signature:		Please print name:		Date:	
For Siemens use only:					
Date Received:	Contact Name:	Reference No:	Date acknowledged:	Date of Reply	Date Cleared:

Siemens Protective Devices Ltd
 PO Box 8
 HEBBURN
 Tyne & Wear
 NE31 1TZ
 England
 Telephone: (0191) 401 5555
 Fax: (0191) 401 5575

7SG26 Tau

Auto Re-close

Document Release History

This document is issue 2010/02. The list of revisions up to and including this issue is:
Pre release

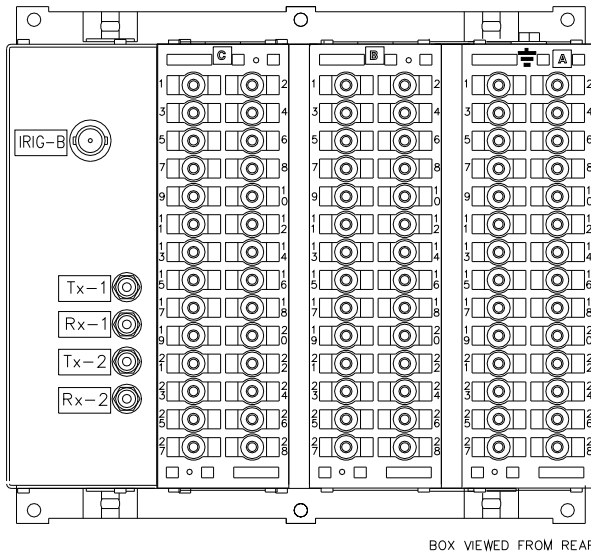
2010/02	Document reformat due to rebrand
---------	----------------------------------

Software Revision History

The copyright and other intellectual property rights in this document, and in any model or article produced from it (and including any registered or unregistered design rights) are the property of Siemens Protection Devices Limited. No part of this document shall be reproduced or modified or stored in another form, in any data retrieval system, without the permission of Siemens Protection Devices Limited, nor shall any model or article be reproduced from this document unless Siemens Protection Devices Limited consent.

While the information and guidance given in this document is believed to be correct, no liability shall be accepted for any loss or damage caused by any error or omission, whether such error or omission is the result of negligence or any other cause. Any and all such liability is disclaimed.

Attached is a mechanical drawing for the Epsilon E8 case size with panel cut-out and drilling dimensions.



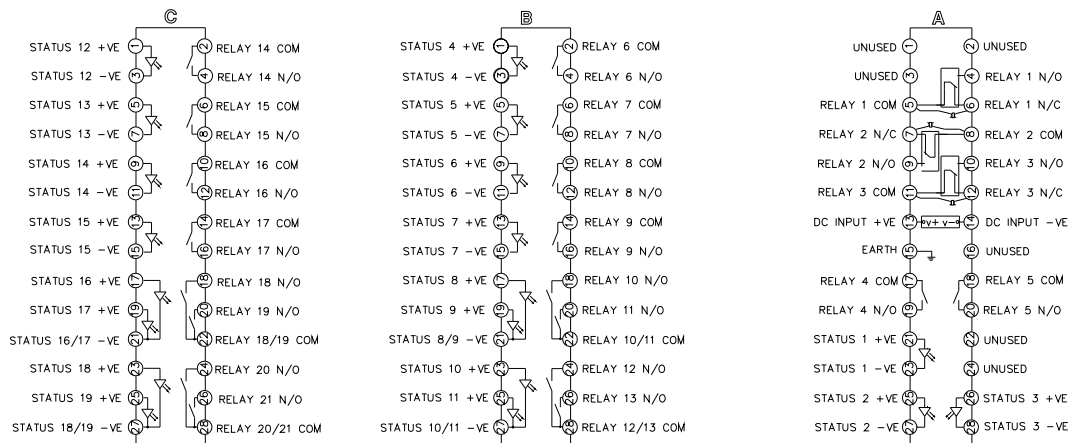
NOTES

1 TERMINALS RECOMMENDED ARE PRE INSULATED & MUST BE CRIMPED USING APPROVED TOOLING. AMP PIDG OR PLASTI GRIP FUNNEL ENTRY (RING TONGUE) FOR M4 FIXING STUD.

SUPPLIER	AMP	CABLE SIZE
AMP	342103	0.25-1.6 SQ MM
AMP	342143	1.0-2.6 SQ MM.

OR ANY OTHER MANUFACTURERS EQUIVALENT TERMINAL.

2 FOR OUTLINE & DRILLING DRG SEE 2995X10008 (A4). FOR 19" RACK MOUNTING USE FRAME 2994B10046.



Siemens Protection Devices Limited
P.O. Box 8
North Farm Road
Hebburn
Tyne & Wear
NE31 1TZ
United Kingdom
Phone: +44 (0)191 401 7901
Fax: +44 (0)191 401 5575
Web: www.siemens.com/energy

PTD 24h Customer Support
Phone: +49 180 524 7000
Fax: +49 180 524 2471
E-mail: support.energy@siemens.com
Data is subject to change without notification.